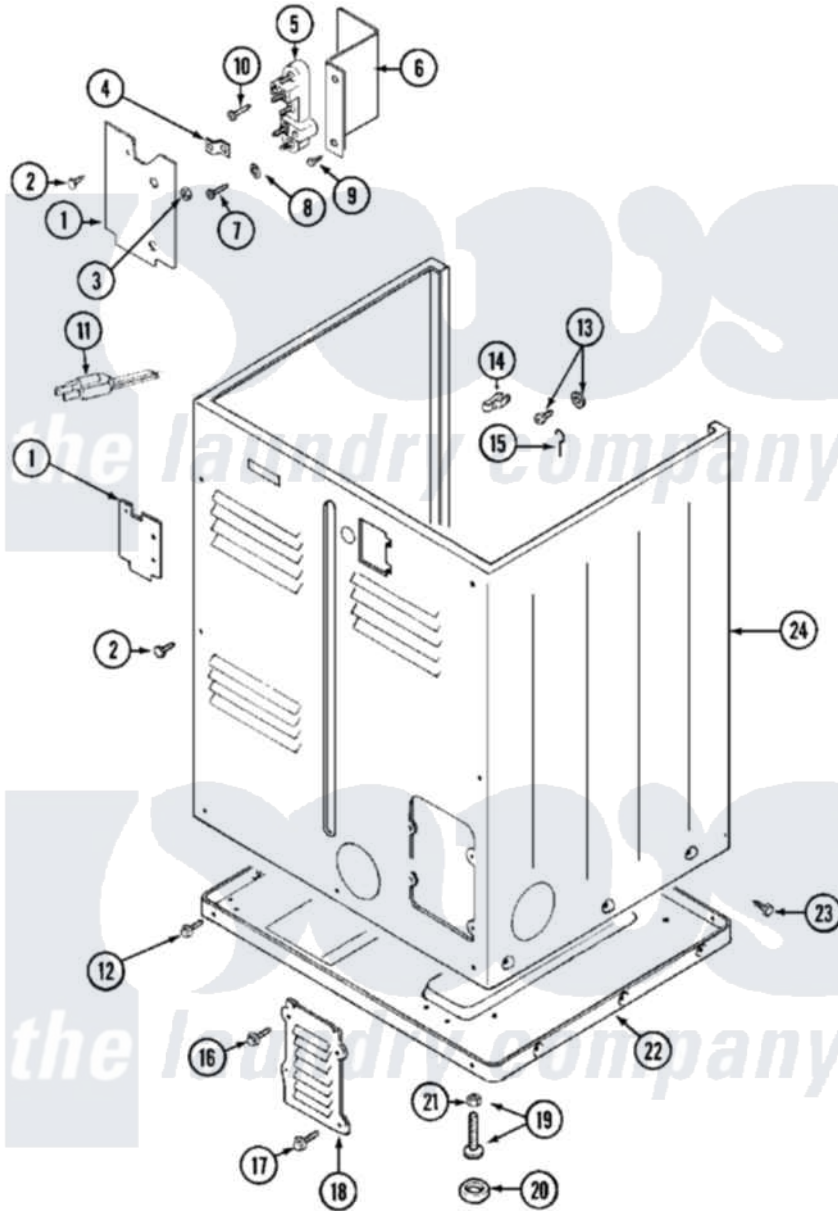


# Maytag MDE10DAADW 05 - CABINET (REAR)



Maytag Commercial Maytag MDE10DAADW Dryer Parts Parts Diagram 05 - CABINET (REAR)  
 Click on the part number to view part

| Item | Original Part Number    | Replaced By               | Status        | Part Description           |
|------|-------------------------|---------------------------|---------------|----------------------------|
| 001  | Y312905                 |                           | Not Available | COVER, TERMINAL            |
| 002  | <a href="#">Y313561</a> |                           |               | Screw----NA                |
| 003  | <a href="#">311484</a>  | <a href="#">112432</a>    |               | Nut                        |
| 004  | <a href="#">Y312184</a> |                           |               | Strap, Grounding           |
| 005  | <a href="#">400008</a>  |                           |               | Block, Terminal            |
| 006  | <a href="#">Y312904</a> |                           |               | Bracket, Terminal Block    |
| 007  | <a href="#">Y312209</a> | <a href="#">W10001200</a> |               | Screw                      |
| 008  | <a href="#">910181</a>  |                           |               | Lockwasher, Terminal Block |
| "    | <a href="#">Y311270</a> |                           |               | Washer, Terminal Block     |
| 009  | Y310632                 | <a href="#">1163839</a>   |               | Screw                      |
| 010  | NLA                     |                           | Not Available | SCREW, GROUND STRAP        |
| 011  | 305168                  | <a href="#">33002916</a>  |               | Power Cord, Canadian 240V  |
| 012  | <a href="#">Y313561</a> |                           |               | Screw----NA                |
| "    | Y310632                 | <a href="#">1163839</a>   |               | Screw                      |
| 013  | NLA                     |                           | Not Available | SCREW & WASHER ASSY.       |
| 014  | <a href="#">301548</a>  |                           |               | Clamp, Ground Wire         |

|     |                         |                       |   |
|-----|-------------------------|-----------------------|---|
| 015 | <a href="#">204807</a>  |                       | Ground Wire, Supp. Plte To Top Cover    |
| 016 | <a href="#">Y313559</a> |                       | Screw                                   |
| 017 | <a href="#">211294</a>  | <a href="#">90767</a> | Screw, 8A X 3/8 HeX Washer Head Tapping |
| 018 | Y312951                 | Not Available         | ACCESS COVER, BACK                      |
| 019 | <a href="#">Y305086</a> |                       | Adjustable Leg And Nut                  |
| 020 | <a href="#">Y314137</a> |                       | Foot, Rubber                            |
| 021 | <a href="#">Y052740</a> | <a href="#">62739</a> | Nut, Lock                               |
| 022 | Y303361                 | Not Available         | BASE ASSY. (UPPER & LOWER)              |
| 023 | <a href="#">213007</a>  |                       | Xfor Cabinet See Cabinet, Back          |
| 024 | NLA                     | Not Available         | CABINET (WHT)                           |

*the laundry company*<sup>®</sup>

*the laundry company*<sup>®</sup>

*the laundry company*<sup>®</sup>