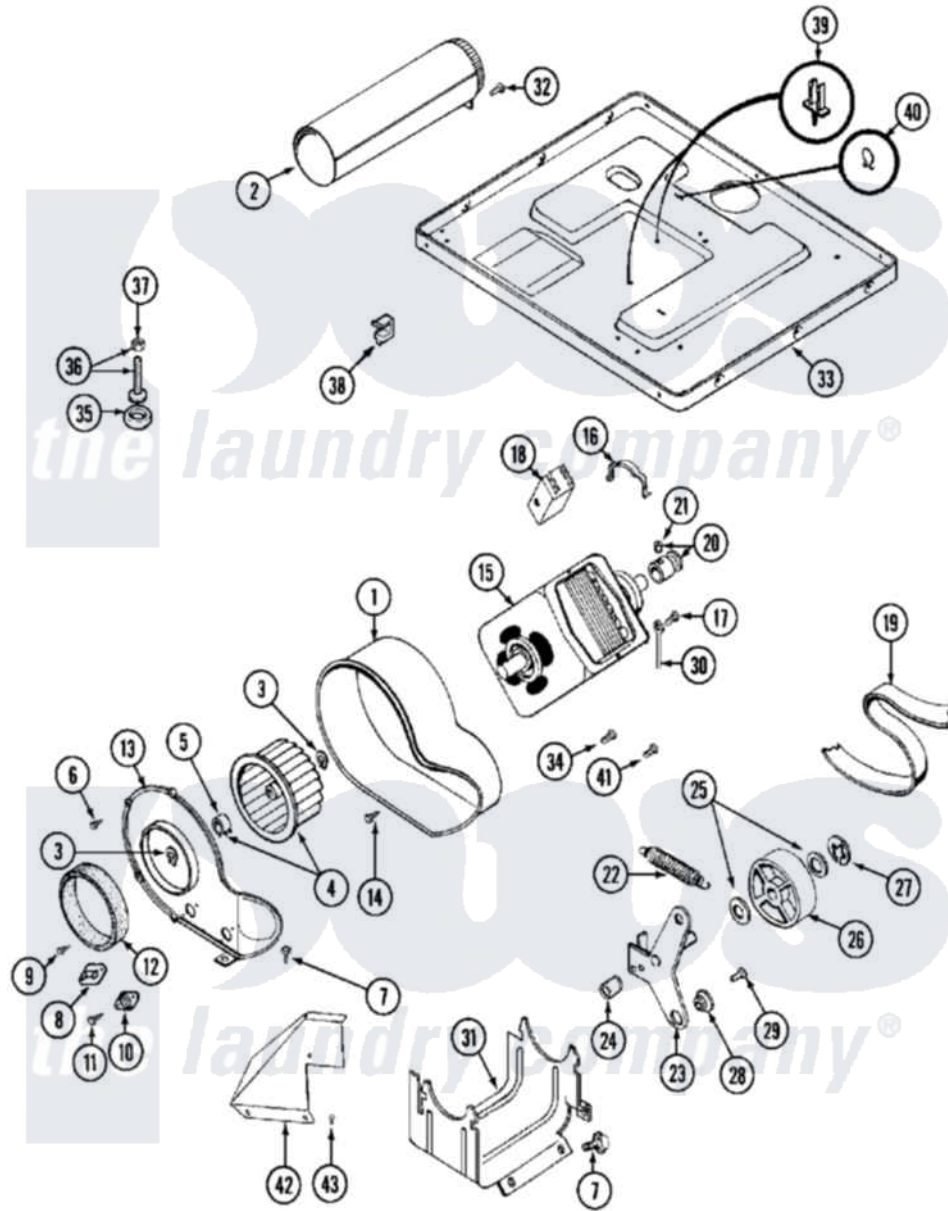


# Maytag MDE10DAAEL 08 - MOTOR DRIVE



Maytag [Commercial Maytag MDE10DAAEL Dryer Parts](#) Parts Diagram 08 - MOTOR DRIVE  
 Click on the part number to view part

Item	Original Part Number	Replaced By	Status	Part Description
001	<a href="#">Y312893</a>			Housing, Blower
002	<a href="#">Y303442</a>			EXHAUST DUCT ASSEMBLY
003	410233	<a href="#">9703438</a>		Ring-Retrnr
004	<a href="#">Y303836</a>			Blower Wheel Assembly And Clamp
005	<a href="#">312967</a>			Clamp, Blower Housing
006	Y312961	<a href="#">W10116751</a>		Screw
007	<a href="#">Y313561</a>			Screw----NA
008	<a href="#">303392</a>			Thermostat, Cycling
"	<a href="#">306967</a>			Thermostat, Multi-Temp Part Not Used Mde26ct-MN Only
"	<a href="#">308211</a>			Thermostat, Cool Down
009	<a href="#">211294</a>	<a href="#">90767</a>		Screw, 8A X 3/8 HeX Washer Head Tapping
010	<a href="#">306604</a>			Cut-Off, Thermal Part Not Used
011	NLA		Not Available	SCREW, THERMAL CUT-OFF
012	<a href="#">Y312901</a>			Seal, Housing Cover

013	<a href="#">314847</a>		COVER, BLOWER HOUSING
014	Y310632	<a href="#">1163839</a>	Screw
015	<a href="#">Y303358</a>	<a href="#">W10410999</a>	Motor-Drve
016	<a href="#">Y015825</a>		Clip, Motor To Motor Support
017	910343	<a href="#">488234</a>	Screw 8-32 X 1/4
018	306207		Not Available (PROD. No.303358-8 & No.303358-9)
"	NLA		Not Available SWITCH, MOTOR START
"	Y303877		Not Available SWITCH, MOTOR EXTERNAL START No.303358-2, No.303358-4, 303358-7
"	<a href="#">Y303879</a>		Switch, Motor External Start
019	<a href="#">Y312959</a>		Poly "V" Belt For Tumbler
020	Y305185	<a href="#">6-3051850</a>	Pulley- MO
021	<a href="#">Y053241</a>		Set Screw, Motor Pulley
022	<a href="#">Y303945</a>		IDLER SPRING ASSY. W/PLUG
023	<a href="#">Y303945</a>		IDLER SPRING ASSY. W/PLUG
024	Y313582	<a href="#">W10116756</a>	Spacer
025	<a href="#">Y312527</a>		Washer, Idler Shaft
026	Y303705	<a href="#">6-3037050</a>	Pulley- ID
027	<a href="#">312958</a>	<a href="#">354987</a>	Ring, Retaining
028	Y312894	<a href="#">315772</a>	Sleeve, Idler Arm
029	<a href="#">Y014874</a>		Screw, Idler Arm And Sleeve
030	<a href="#">901220</a>		Ground Wire
031	NLA		Not Available SUPPORT, MOTOR
032	NLA		Not Available SCREW, EXHAUST DUCT TO CABNT.
033	<a href="#">Y305084</a>		Base Assembly
034	<a href="#">211294</a>	<a href="#">90767</a>	Screw, 8A X 3/8 HeX Washer Head Tapping
035	<a href="#">Y314137</a>		Foot, Rubber
036	<a href="#">Y305086</a>		Adjustable Leg And Nut
037	<a href="#">Y052740</a>	<a href="#">62739</a>	Nut, Lock
038	<a href="#">Y310376</a>		Clip, Door Switch Harness
039	315471	<a href="#">22003298</a>	Retainer, Wire
040	<a href="#">410490</a>		Spring, Retainer Wire Harness
041	Y312961	<a href="#">W10116751</a>	Screw
042	315122		Not Available COVER, THERMOSTAT PART NOT USED (MDE ONLY)
043	Y310632	<a href="#">1163839</a>	Screw

*the laundry company*<sup>®</sup>