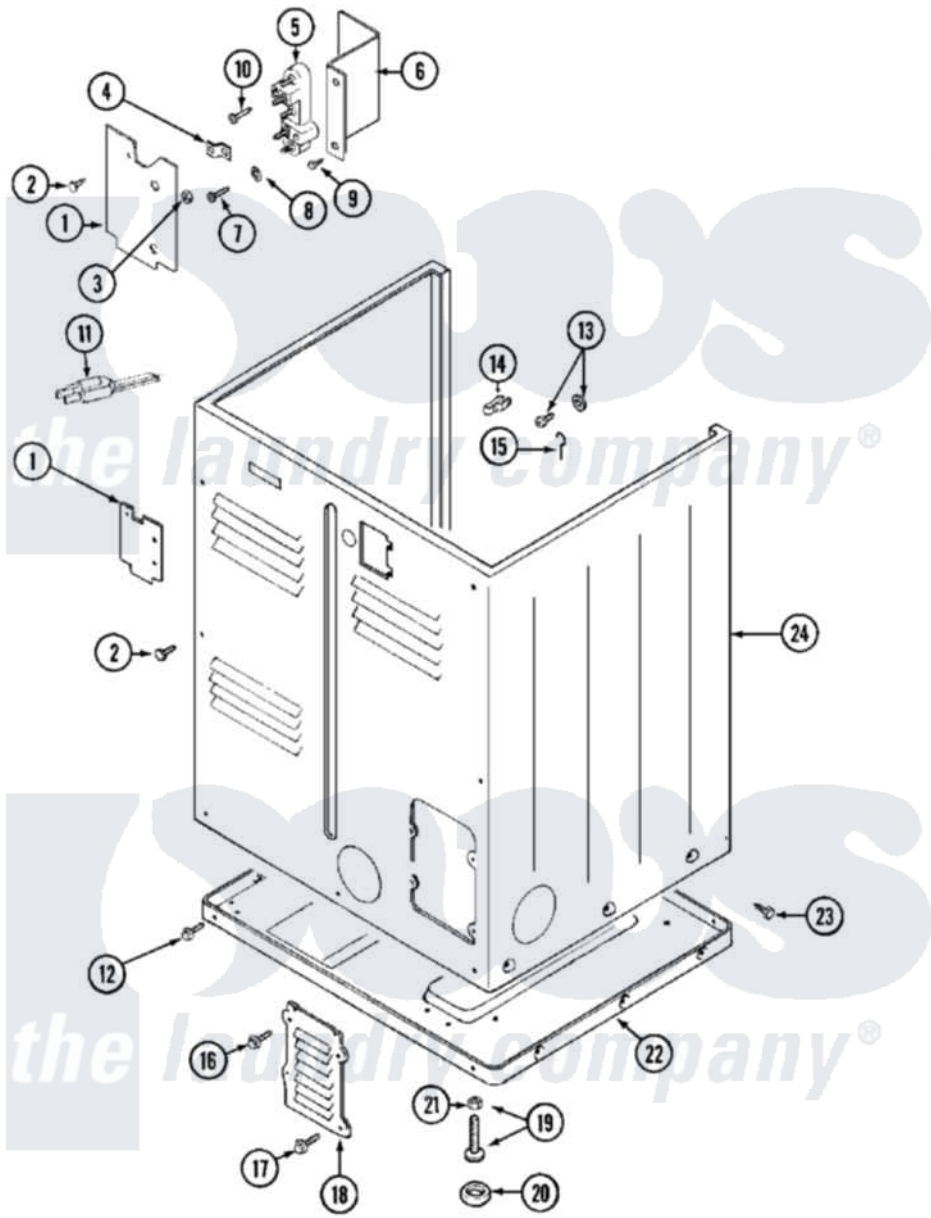


# Maytag MDE10PDADW 04 - CABINET (REAR)



Maytag [Commercial Maytag MDE10PDADW Dryer Parts](#) Parts Diagram 04 - CABINET (REAR)  
 Click on the part number to view part

| Item | Original Part Number     | Replaced By               | Status        | Part Description            |
|------|--------------------------|---------------------------|---------------|-----------------------------|
| 001  | Y312905                  |                           | Not Available | COVER, TERMINAL             |
| 002  | <a href="#">Y313561</a>  |                           |               | Screw---NA                  |
| 003  | <a href="#">311484</a>   | <a href="#">112432</a>    |               | Nut                         |
| 004  | <a href="#">Y312184</a>  |                           |               | Strap, Grounding            |
| 005  | <a href="#">400008</a>   |                           |               | Block, Terminal             |
| 006  | <a href="#">Y312904</a>  |                           |               | Bracket, Terminal Block     |
| 007  | <a href="#">Y312209</a>  | <a href="#">W10001200</a> |               | Screw                       |
| 008  | <a href="#">910181</a>   |                           |               | Lockwasher, Terminal Block  |
| "    | <a href="#">Y311270</a>  |                           |               | Washer, Terminal Block      |
| 009  | Y310632                  | <a href="#">1163839</a>   |               | Screw                       |
| 010  | NLA                      |                           | Not Available | SCREW, GROUND STRAP         |
| 011  | 305168                   | <a href="#">33002916</a>  |               | Power Cord, Canadian 240V   |
| "    | <a href="#">33001425</a> |                           |               | Locknut, Eared For Canadian |
| 012  | <a href="#">Y313561</a>  |                           |               | Screw---NA                  |
| "    | Y310632                  | <a href="#">1163839</a>   |               | Screw                       |
| 013  | NLA                      |                           | Not Available | SCREW & WASHER ASSEMBLY     |

|     |                         |                       |   |
|-----|-------------------------|-----------------------|---|
| 014 | <a href="#">301548</a>  |                       | Clamp, Ground Wire                      |
| 015 | <a href="#">204807</a>  |                       | Ground Wire, Supp. Plite To Top Cover   |
| 016 | <a href="#">Y313559</a> |                       | Screw                                   |
| 017 | <a href="#">211294</a>  | <a href="#">90767</a> | Screw, 8A X 3/8 HeX Washer Head Tapping |
| 018 | Y312951                 | Not Available         | ACCESS COVER, BACK                      |
| 019 | <a href="#">Y305086</a> |                       | Adjustable Leg And Nut                  |
| 020 | <a href="#">Y314137</a> |                       | Foot, Rubber                            |
| 021 | <a href="#">Y052740</a> | <a href="#">62739</a> | Nut, Lock                               |
| 022 | Y303361                 | Not Available         | BASE ASSY. (UPPER & LOWER)              |
| 023 | <a href="#">213007</a>  |                       | Xfor Cabinet See Cabinet, Back          |
| 024 | NLA                     | Not Available         | CABINET (WHT)                           |

*the laundry company*<sup>®</sup>

**WWS**  
*the laundry company*<sup>®</sup>

**WWS**  
*the laundry company*<sup>®</sup>