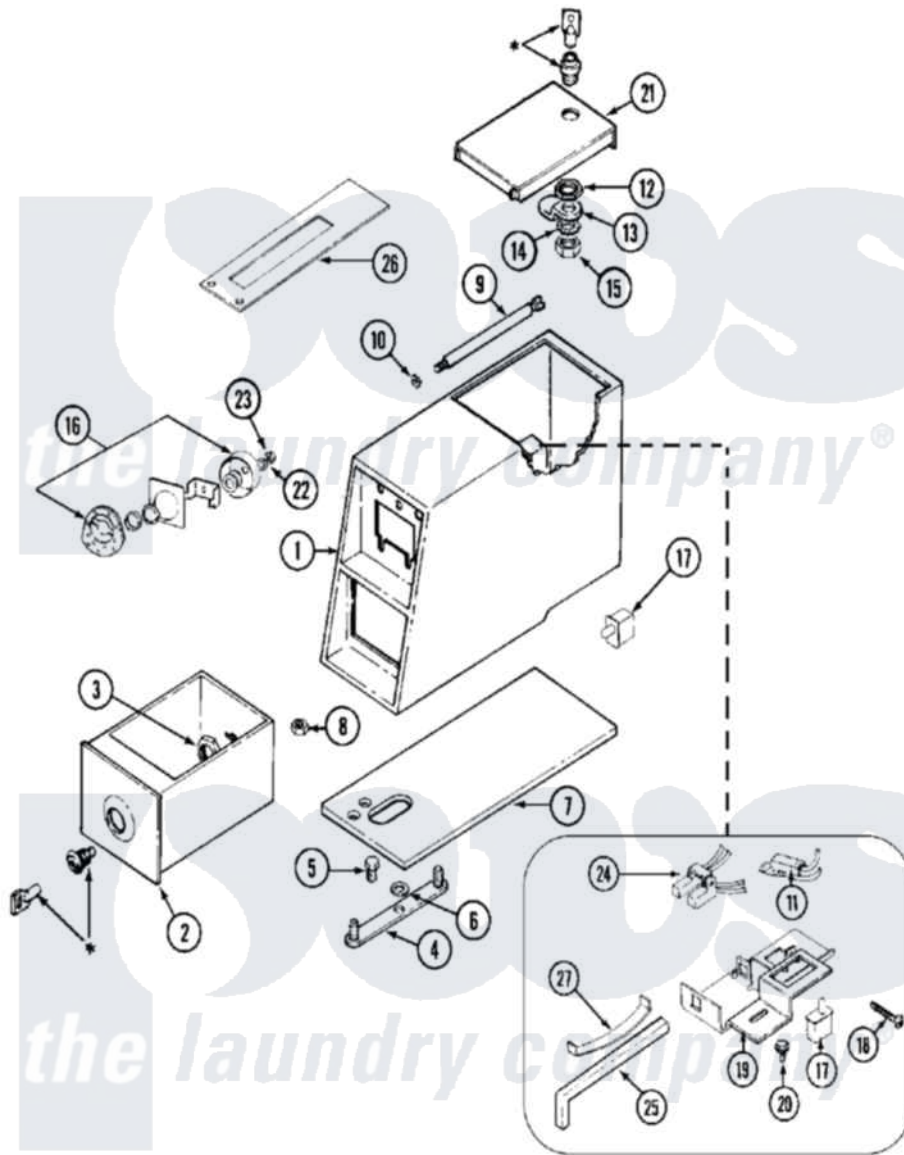


# Maytag MDE10PSAGL 02 - CONTROL CENTER



**\*CONTACT YOUR COMMERCIAL LAUNDRY DISTRIBUTOR**

Maytag [Commercial Maytag MDE10PSAGL Dryer Parts](#) Parts Diagram 02 - CONTROL CENTER  
 Click on the part number to view part

Item	Original Part Number	Replaced By	Status	Part Description
001	<a href="#">22001405</a>			Case, Coin Slide
"	22001406	<a href="#">22001405</a>		Case, Coin Slide
002	207913	<a href="#">208883</a>		Coin Box K
"	NLA		Not Available	(ALM)
003	212328	<a href="#">W10139762</a>		Hex Nut, 3/4-27
004	NLA		Not Available	STRAP, MOUNTING
005	<a href="#">211294</a>	<a href="#">90767</a>		Screw, 8A X 3/8 HeX Washer Head Tapping
006	<a href="#">910309</a>			Washer, Mounting Strap
007	<a href="#">214660</a>			Gasket, Control Center
008	<a href="#">Y052740</a>	<a href="#">62739</a>		Nut, Lock
009	<a href="#">215559</a>			Bolt, Coin Slide Locking
010	<a href="#">910387</a>			Lockwasher, Vault Assembly
011	<a href="#">208045</a>			Harness, Wire Sensor Switch To Circuit Brd
012	212328	<a href="#">W10139762</a>		Hex Nut, 3/4-27
013	213750	<a href="#">W10133266</a>		Cam-Lock

014	22001354	<a href="#">W10177242</a>		Hex-Nut 9/32 - 28
015	<a href="#">22001355</a>			Nut, Lock Cam
016	NLA		Not Available	LOCK CAM ASSEMBLY
017	<a href="#">33001250</a>			Switch, Vault And Service Door
018	<a href="#">314665</a>			Screw, Switch Assembly
019	<a href="#">33001253</a>			Bracket, Sensor Switch
020	<a href="#">211605</a>			Bezel, Timer Dial
"	212276	<a href="#">W10116760</a>		Screw
021	204216		Not Available	DOOR, ACCESS (WHT)
"	<a href="#">204216L</a>			Door, Access
022	22001354	<a href="#">W10177242</a>		Hex-Nut 9/32 - 28
023	<a href="#">216203</a>			Lockwasher, Double "D"
"	<a href="#">22001355</a>			Nut, Lock Cam
024	<a href="#">206799</a>			Optic Switch Assembly
025	<a href="#">216442</a>			Rod, Actuator
026	NLA		Not Available	BRACKET, OPTIC SWITCH ACT.
027	<a href="#">33001252</a>			Spring, Switch Rod

