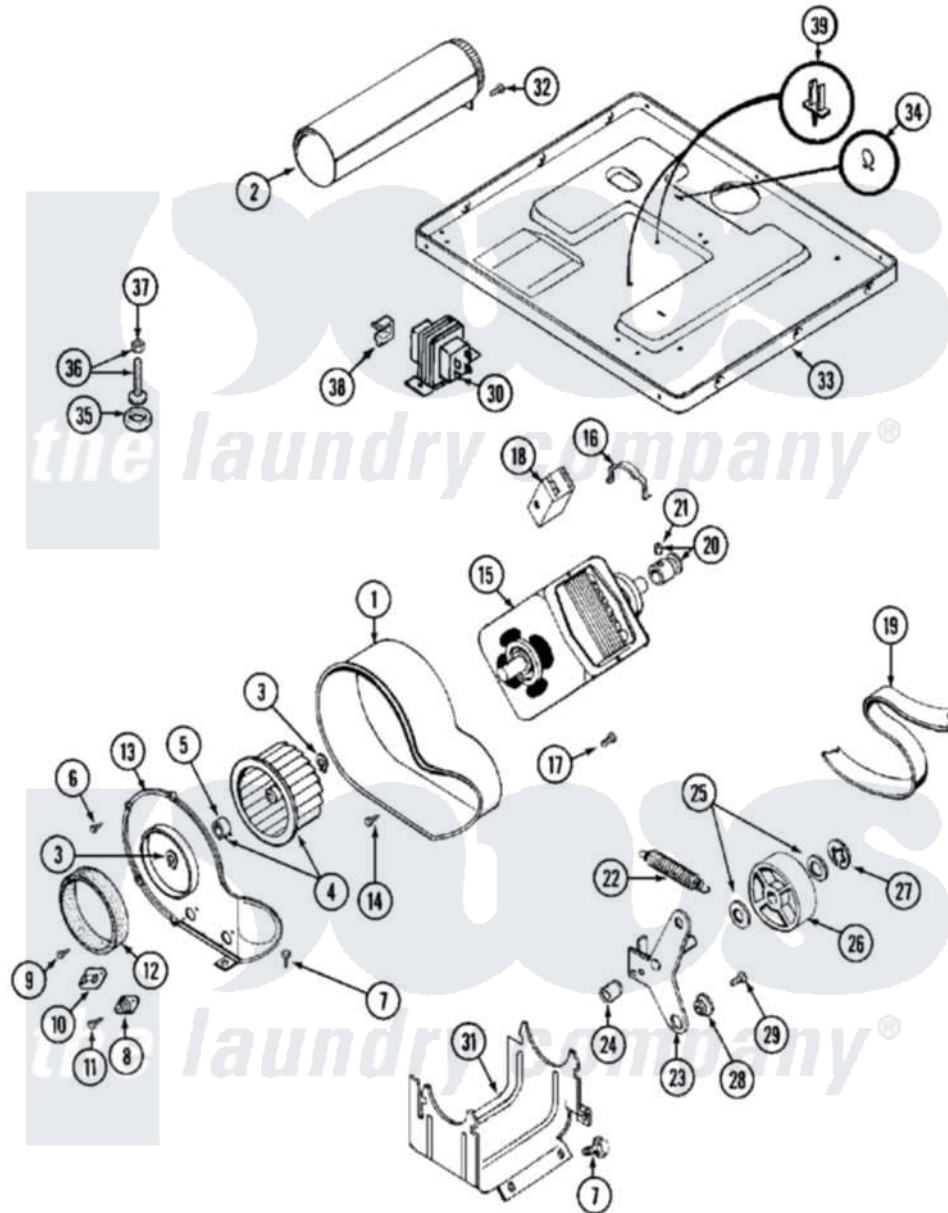


Maytag MDE10PSAGL 08 - MOTOR DRIVE



Maytag [Commercial Maytag MDE10PSAGL Dryer Parts](#) Parts Diagram 08 - MOTOR DRIVE
 Click on the part number to view part

Item	Original Part Number	Replaced By	Status	Part Description
001	Y312893			Housing, Blower
002	Y303442			EXHAUST DUCT ASSEMBLY
003	410233	9703438		Ring-Retrn
004	Y303836			Blower Wheel Assembly And Clamp
005	312967			Clamp, Blower Housing
006	Y312961	W10116751		Screw
007	Y313561			Screw---NA
008	306056			Thermistor Temp. Control Part Not Used Mde/G26pc Only.
"	Y303391	33303391		Thermostat, Cycling
009	211294	90767		Screw, 8A X 3/8 HeX Washer Head Tapping
010	306604			Cut-Off, Thermal Part Not Used
011	NLA		Not Available	SCREW, THERMAL CUT-OFF
012	Y312901			Seal, Housing Cover
013	314778		Not Available	COVER, BLOWER HOUSING

014	Y310632	1163839		Screw
015	Y304656		Not Available	MOTOR (240V 50HZ)
016	Y015825			Clip, Motor To Motor Support
017	Y312961	W10116751		Screw
018	306207		Not Available	(PROD. No.303358-8 & No.303358-9)
"	NLA		Not Available	SWITCH, MOTOR EXTERNAL START
019	Y312959			Poly "V" Belt For Tumbler
020	305186			Pulley, Motor
021	Y053241			Set Screw, Motor Pulley
022	Y303945			IDLER SPRING ASSY. W/PLUG
023	Y303363	6-3033630		Idler Arm
024	Y313582	W10116756		Spacer
025	Y312527			Washer, Idler Shaft
026	Y303705	6-3037050		Pulley- ID
027	312958	354987		Ring, Retaining
028	315772			Sleeve, Idler Arm
029	Y014874			Screw, Idler Arm And Sleeve
030	211294	90767		Screw, 8A X 3/8 HeX Washer Head Tapping
"	22001417			Transformer
"	307928	12001933		Transformer
"	Y313559			Screw
031	NLA		Not Available	SUPPORT, MOTOR
032	Y310632	1163839		Screw
033	Y305084			Base Assembly
034	410490			Spring, Retainer Wire Harness
035	Y314137			Foot, Rubber
036	Y305086			Adjustable Leg And Nut
037	Y052740	62739		Nut, Lock
038	Y310376			Clip, Door Switch Harness
039	315471	22003298		Retainer, Wire

