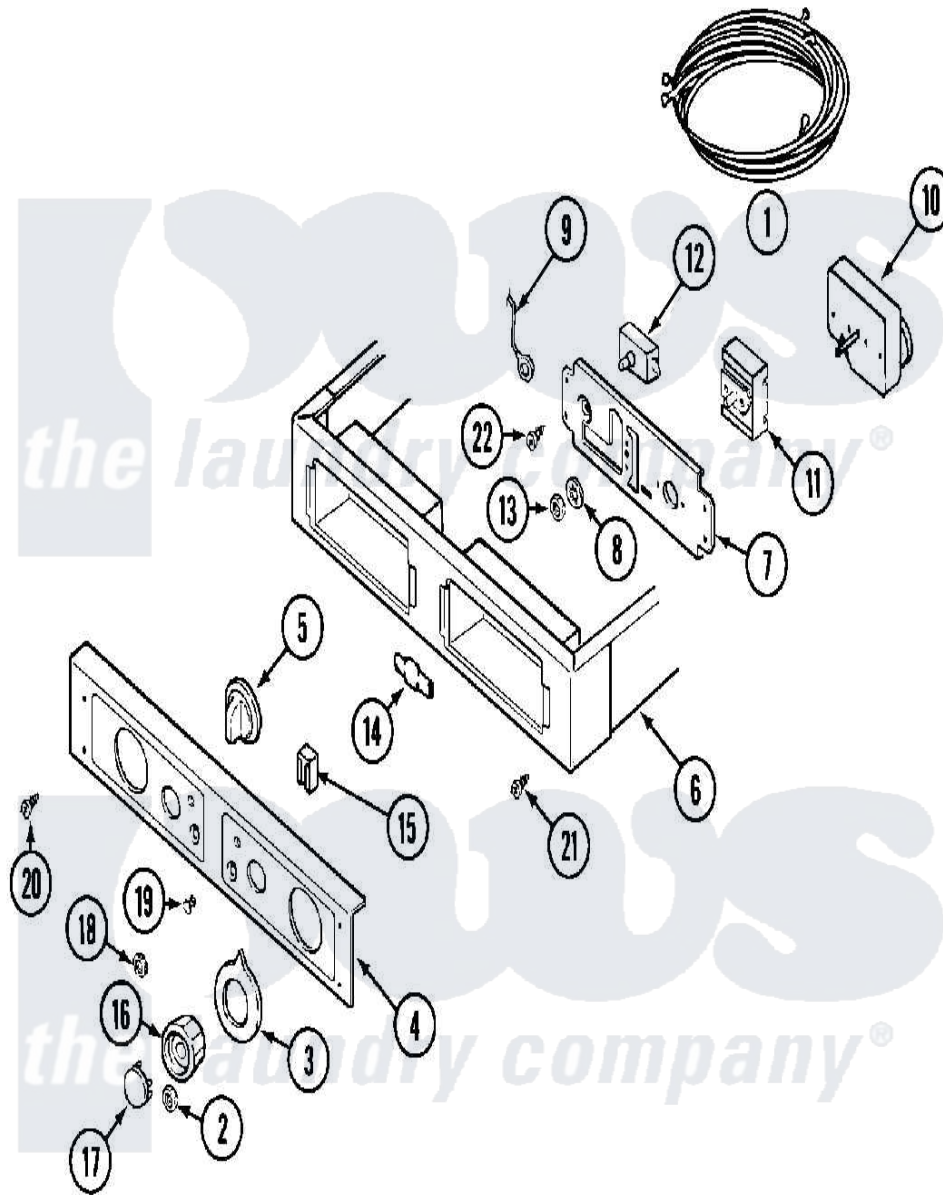


# Maytag MDE11MNACW 01 - CONTROL PANEL & SUPPORT ASSY.



Maytag [Commercial Maytag MDE11MNACW Dryer Parts](#) Parts Diagram 01 - CONTROL PANEL & SUPPORT ASSY.  
 Click on the part number to view part

| Item | Original Part Number     | Replaced By               | Status        | Part Description          |
|------|--------------------------|---------------------------|---------------|---------------------------|
| 001  | <a href="#">308301</a>   |                           |               | Wire Harness, Main        |
| "    | <a href="#">314522</a>   |                           |               | Grommet, Strain Relief    |
| "    | <a href="#">33001556</a> |                           |               | Wire Harness, Main        |
| "    | NLA                      |                           | Not Available | (LWR)                     |
| 002  | <a href="#">312273</a>   |                           |               | Nut, Control Knob         |
| 003  | 314725                   | <a href="#">33001500</a>  |               | Dial, Timer Indicator     |
| "    | <a href="#">33001500</a> |                           |               | Dial, Timer Indicator     |
| 004  | NLA                      |                           | Not Available | PANEL, CONTROL            |
| 005  | <a href="#">205663</a>   |                           |               | Knob For Selector Switch  |
| 006  | NLA                      |                           | Not Available | SUPPORT ASSEMBLY (WHT)    |
| "    | Y310632                  | <a href="#">1163839</a>   |               | Screw                     |
| 007  | NLA                      |                           | Not Available | BRACKET, CONTROL MOUNTING |
| 008  | <a href="#">312751</a>   |                           |               | Lockwasher, Start Switch  |
| 009  | <a href="#">205810</a>   |                           |               | Wire, Ground              |
| "    | 211168                   | <a href="#">W10139210</a> |               | Screw, 8-18 X 5/16        |
| "    | <a href="#">211252</a>   |                           |               | Screw, Ground Wire        |

|     |                         |                           |                        |                                |
|-----|-------------------------|---------------------------|------------------------|--------------------------------|
| 010 | <a href="#">Y307296</a> |                           | Timer RPR              |                                |
| 011 | 306940                  | <a href="#">W10149462</a> | Switch, Push-To-Start  |                                |
| 012 | <a href="#">307253</a>  |                           | Switch, Cycle Selector |                                |
| 013 | Y312706                 | <a href="#">422617</a>    | Nut                    |                                |
| 014 | Y201110                 |                           | Not Available          | CONNECTOR, WIRE (INDIC. LIGHT) |
| 015 | 204075                  |                           | Not Available          | PILOT LAMP (DG MODELS ONLY)    |
| 016 | <a href="#">314724</a>  |                           |                        | Knob For Timer                 |
| 017 | 314723                  | <a href="#">W10133501</a> |                        | Cap, Knob                      |
| 018 | <a href="#">Y312702</a> |                           |                        | Knurled Nut, Start Switch      |
| 019 | <a href="#">215564</a>  |                           |                        | Lens, Indicator Light          |
| 020 | <a href="#">215506</a>  |                           |                        | Screw, Control Panel Overlay   |
| 021 | 910186                  | <a href="#">99002757</a>  |                        | Screw                          |
| 022 | <a href="#">Y313588</a> | <a href="#">488234</a>    |                        | Screw 8-32 X 1/4               |

