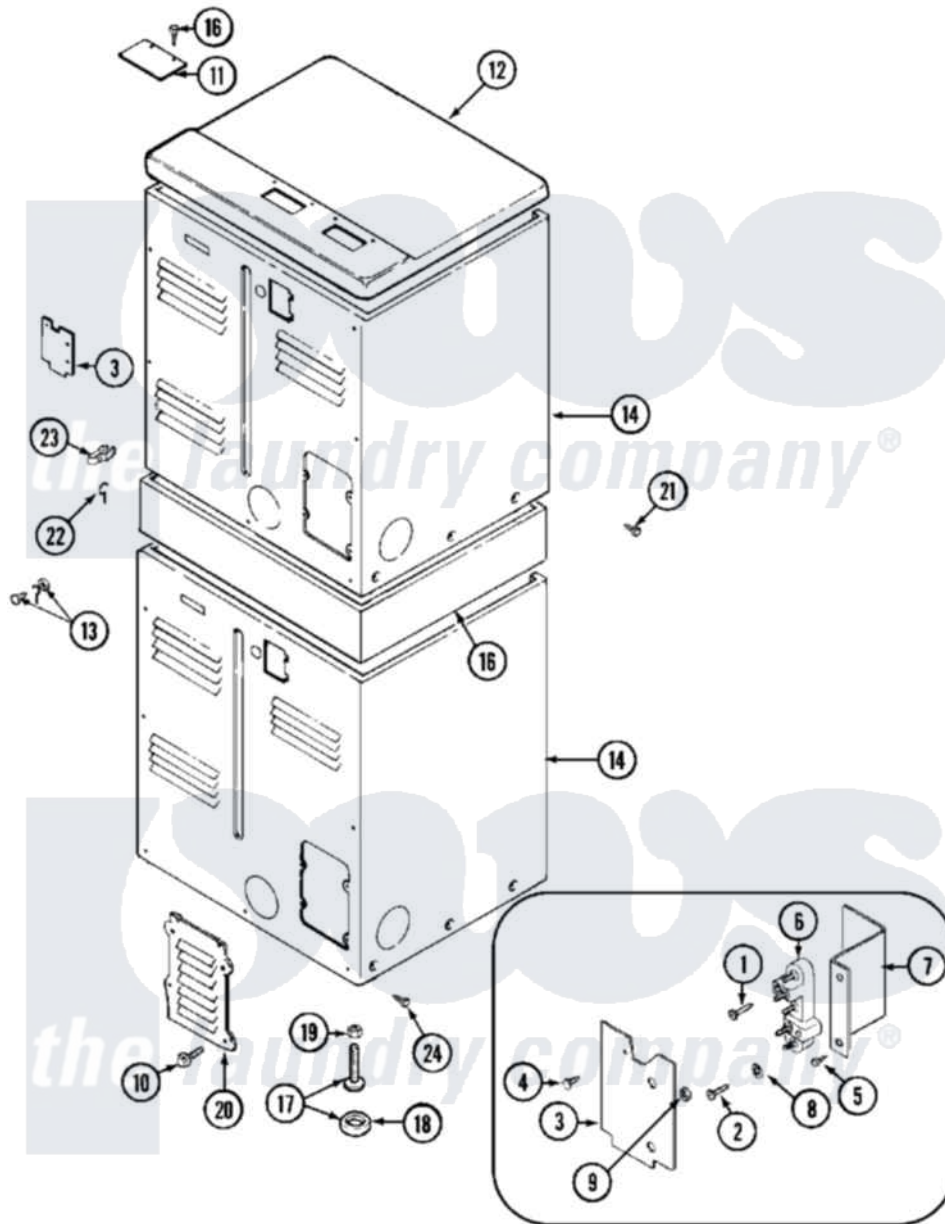


# Maytag MDE11MNAGW 04 - REAR



Maytag [Commercial Maytag MDE11MNAGW Dryer Parts](#) Parts Diagram 04 - REAR  
 Click on the part number to view part

| Item | Original Part Number     | Replaced By               | Status        | Part Description                        |
|------|--------------------------|---------------------------|---------------|---|
| 001  | NLA                      |                           | Not Available | SCREW, GROUND STRAP                     |
| 002  | Y310632                  | <a href="#">1163839</a>   |               | Screw                                   |
| 003  | Y312905                  |                           | Not Available | COVER, TERMINAL                         |
| 004  | <a href="#">Y313561</a>  |                           |               | Screw----NA                             |
| 005  | <a href="#">Y312209</a>  | <a href="#">W10001200</a> |               | Screw                                   |
| 006  | <a href="#">400008</a>   |                           |               | Block, Terminal                         |
| 007  | <a href="#">Y312904</a>  |                           |               | Bracket, Terminal Block                 |
| 008  | <a href="#">311093</a>   |                           |               | Washer, Terminal Connection             |
| "    | <a href="#">910181</a>   |                           |               | Lockwasher, Terminal Block              |
| "    | <a href="#">Y311270</a>  |                           |               | Washer, Terminal Block                  |
| 009  | <a href="#">311484</a>   | <a href="#">112432</a>    |               | Nut                                     |
| 010  | <a href="#">211294</a>   | <a href="#">90767</a>     |               | Screw, 8A X 3/8 HeX Washer Head Tapping |
| "    | <a href="#">Y313559</a>  |                           |               | Screw                                   |
| 011  | NLA                      |                           | Not Available | PLATE, TOP COVER                        |
| 012  | <a href="#">33001165</a> |                           |               | Top Cover Assembly                      |
|      |                          |                           |               | SCREW & WASHER                          |

|     |                         |                          |               |                                |
|-----|-------------------------|--------------------------|---------------|--------------------------------|
| 013 | NLA                     |                          | Not Available | SCREW & WASHER ASSEMBLY        |
| 014 | NLA                     |                          | Not Available | CABINET (LWR-WHT)              |
| "   | Y310632                 | <a href="#">1163839</a>  |               | Screw                          |
| 015 | NLA                     |                          | Not Available | SUPPORT ASSEMBLY (WHT)         |
| 016 | <a href="#">Y313559</a> |                          |               | Screw                          |
| 017 | Y302699                 | <a href="#">22003428</a> |               | Leg, Adjustable                |
| 018 | <a href="#">210684</a>  |                          |               | Foot, Adjustable Leg           |
| 019 | <a href="#">210385</a>  |                          |               | Lock Nut For Adjustable Leg    |
| 020 | Y312951                 |                          | Not Available | ACCESS COVER, BACK             |
| 021 | NLA                     |                          | Not Available | SCREW, SUPPORT                 |
| "   | Y310632                 | <a href="#">1163839</a>  |               | Screw                          |
| 022 | <a href="#">311155</a>  |                          |               | Ground Wire And Clamp          |
| 023 | <a href="#">301548</a>  |                          |               | Clamp, Ground Wire             |
| "   | <a href="#">313122</a>  |                          |               | Screw - Baffle To Tumbler      |
| 024 | <a href="#">213007</a>  |                          |               | Xfor Cabinet See Cabinet, Back |

