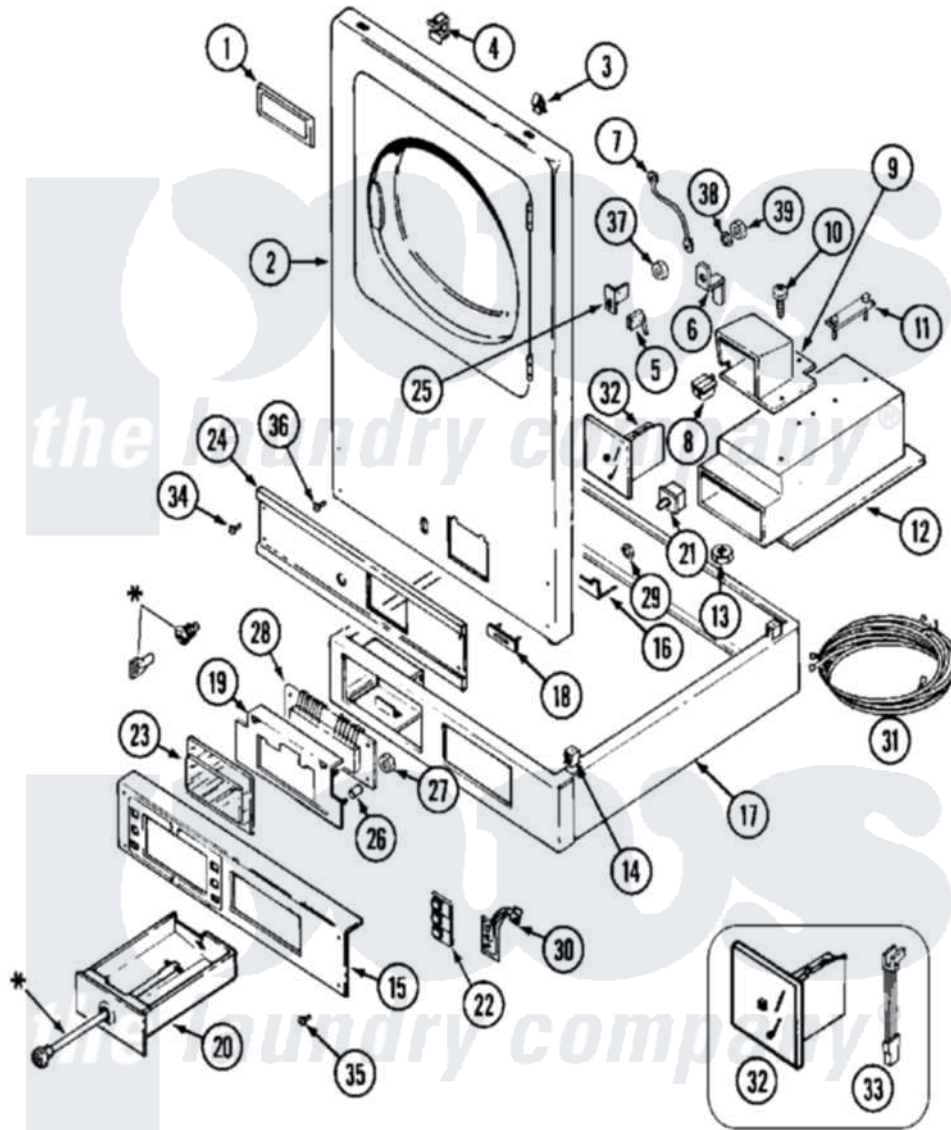


# Maytag MDE11PDADW 01 - CONTROLS & UPPER PANEL



**\*Contact Your Commercial Distributor for Locks & Keys**

Maytag [Commercial Maytag MDE11PDADW Dryer Parts](#) Parts Diagram 01 - CONTROLS & UPPER PANEL  
 Click on the part number to view part

Item	Original Part Number	Replaced By	Status	Part Description
001	NLA		Not Available	NAME PLATE
002	33001447		Not Available	PANEL, FRONT (UPR-WHT)
"	NLA		Not Available	PANEL, FRONT (UPR-WHT)
003	212982	<a href="#">22001650</a>		Fastener, Spring
004	<a href="#">Y310376</a>			Clip, Door Switch Harness
005	912012	<a href="#">3400409</a>		Screw
"	<a href="#">Y306232</a>			Switch, Access
006	314625	<a href="#">206637</a>		Lock Kit
007	Y306712	<a href="#">Y303981</a>		Ground Wire For Latch
008	<a href="#">314635</a>			Chute, Coin
009	NLA		Not Available	COVER, COIN DROP
010	<a href="#">314654</a>			Bolt, Coin Drop Cover
011	NLA		Not Available	STRAP, MOUNTING
"	NLA		Not Available	LOCKWASHER, MOUNTING STRAP
012	<a href="#">910387</a>			Lockwasher, Vault Assembly
"	NLA		Not Available	VAULT ASSEMBLY (WHT)

013	NLA		Not Available	WASHER, COVER BOLT
"	<a href="#">Y052740</a>	<a href="#">62739</a>		Nut, Lock
014	310933	<a href="#">33002194</a>		Nut, Speed
015	33001023		Not Available	EXTRUSION, CONTROL (LOWER)
016	<a href="#">Y313561</a>			Screw---NA
"	<a href="#">314631</a>			Bracket, Coin Mechanism
"	Y310632	<a href="#">1163839</a>		Screw
017	NLA		Not Available	SUPPORT ASSEMBLY (WHT)
018	306233		Not Available	STRAP, COIN ACCEPTOR
019	<a href="#">33001201</a>			Plate, Control Mounting
"	910186	<a href="#">99002757</a>		Screw
020	<a href="#">308143</a>			Tray, Coin
"	308143L	<a href="#">308143</a>		Tray, Coin
021	<a href="#">33001250</a>			Switch, Vault And Service Door
022	<a href="#">33001156</a>			Button, Control
023	<a href="#">33001209</a>			Cover, Display
024	NLA		Not Available	CONTROL, EXTRUSION (UPR)
025	<a href="#">314634</a>			Bracket, Access Switch
026	<a href="#">33001204</a>			Stand-Off, Ccontrol Board
027	<a href="#">912077</a>			Locknut, Reader Harness
028	<a href="#">33001249</a>			Battery, Control Board
"	33001290	<a href="#">33002605</a>		Circuit Board Assembly
029	Y052659	<a href="#">Y052655</a>		Hex Nut, No.8-32
030	33001200	<a href="#">33002449</a>		Switch, Membrane
031	<a href="#">314522</a>			Grommet, Strain Relief
"	<a href="#">33001030</a>			Wire Harness, Main
"	<a href="#">33001031</a>			(LWR)
"	<a href="#">33001408</a>			Wire Harness, Main
"	<a href="#">33001409</a>			(LWR)
"	<a href="#">33001410</a>			Wire Harness, Main
"	<a href="#">33001411</a>			(LWR)
"	910768	<a href="#">M0280301</a>		Tie Electr
"	NLA		Not Available	(UPR)
032	<a href="#">308121</a>			Rejector Assembly
"	<a href="#">Y308123</a>			Rejector Assembly
033	<a href="#">315427</a>			Screw, Switch Assembly
"	33001025	<a href="#">33001985</a>		Switch, Optic
034	<a href="#">215506</a>			Screw, Control Panel Overlay
"	<a href="#">315489</a>			Screw, Extrusion And Front
035	<a href="#">215506</a>			Screw, Control Panel Overlay
036	314666		Not Available	SCREW, PANEL (UPR)
"	NLA		Not Available	CLIP, CABINET SCREW
037	212328	<a href="#">W10139762</a>		Hex Nut, 3/4-27
038	22001354	<a href="#">W10177242</a>		Hex-Nut 9/32 - 28
039	<a href="#">22001355</a>			Nut, Lock Cam