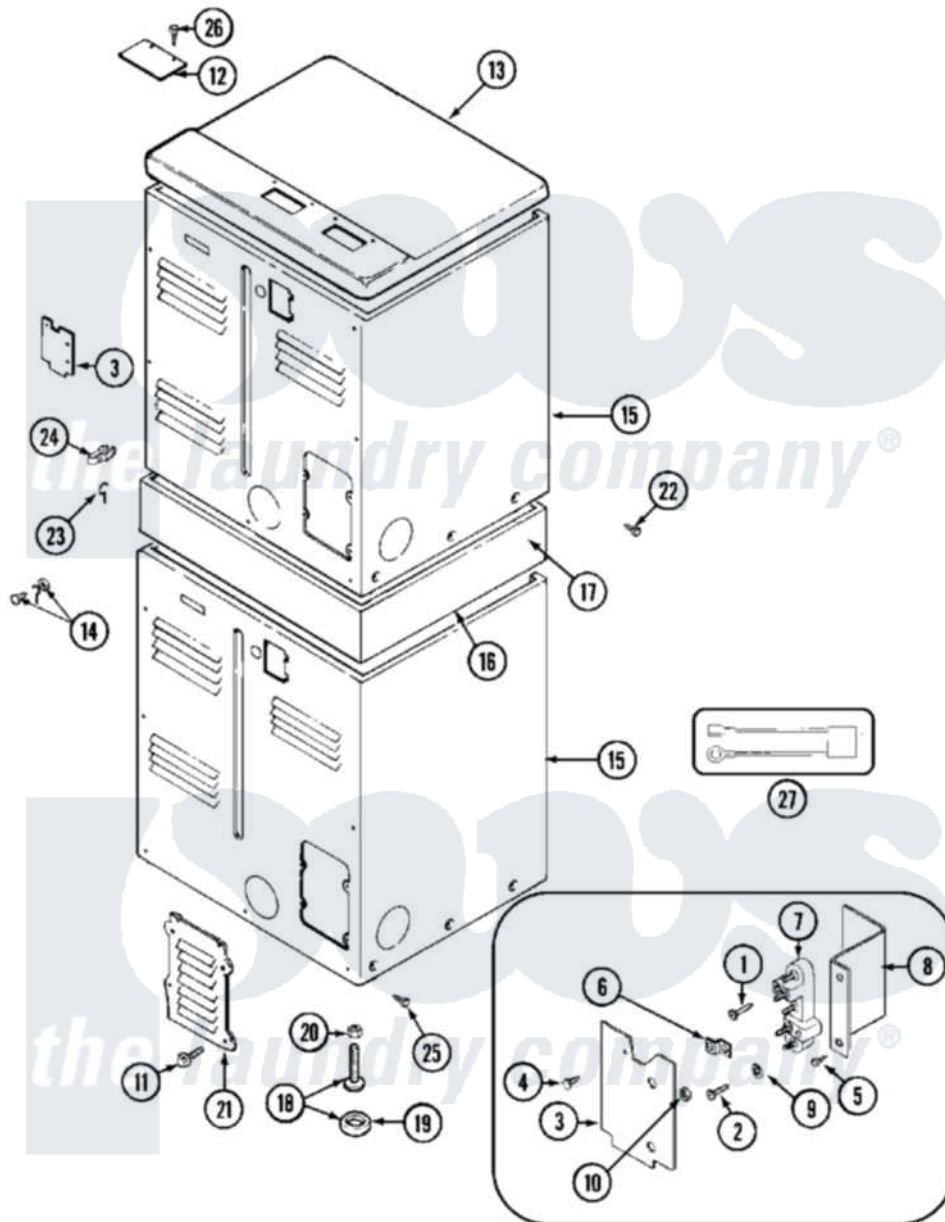


# Maytag MDE11PDAEW 04 - REAR



Maytag [Commercial Maytag MDE11PDAEW Dryer Parts](#) Parts Diagram 04 - REAR

[Click on the part number to view part](#)

Item	Original Part Number	Replaced By	Status	Part Description
001	NLA		Not Available	SCREW, GROUND STRAP
002	Y310632	<a href="#">1163839</a>		Screw
003	Y312905		Not Available	COVER, TERMINAL
004	<a href="#">Y313561</a>			Screw----NA
005	<a href="#">Y312209</a>	<a href="#">W10001200</a>		Screw
006	<a href="#">Y312184</a>			Strap, Grounding
007	<a href="#">400008</a>			Block, Terminal
008	<a href="#">Y312904</a>			Bracket, Terminal Block
009	<a href="#">311093</a>			Washer, Terminal Connection
"	<a href="#">Y311270</a>			Washer, Terminal Block
010	<a href="#">311484</a>	<a href="#">112432</a>		Nut
011	<a href="#">211294</a>	<a href="#">90767</a>		Screw, 8A X 3/8 HeX Washer Head Tapping
"	<a href="#">Y313559</a>			Screw
012	NLA		Not Available	PLATE, TOP COVER
013	<a href="#">33001165</a>			Top Cover Assembly
"	NLA		Not Available	(ALM)

014	NLA		Not Available	SCREW & WASHER ASSEMBLY
015	NLA		Not Available	CABINET (WHT)
"	Y310632	<a href="#">1163839</a>		Screw
016	NLA		Not Available	SUPPORT ASSEMBLY (WHT)
017	310933	<a href="#">33002194</a>		Nut, Speed
018	Y302699	<a href="#">22003428</a>		Leg, Adjustable
019	<a href="#">210684</a>			Foot, Adjustable Leg
020	<a href="#">210385</a>			Lock Nut For Adjustable Leg
021	Y312951		Not Available	ACCESS COVER, BACK
022	NLA		Not Available	SCREW, SUPPORT
"	Y310632	<a href="#">1163839</a>		Screw
023	<a href="#">311155</a>			Ground Wire And Clamp
024	<a href="#">301548</a>			Clamp, Ground Wire
"	<a href="#">313122</a>			Screw - Baffle To Tumbler
025	<a href="#">213007</a>			Xfor Cabinet See Cabinet, Back
026	<a href="#">Y313559</a>			Screw
027	<a href="#">12001279</a>			Surge Suppressor Kit

