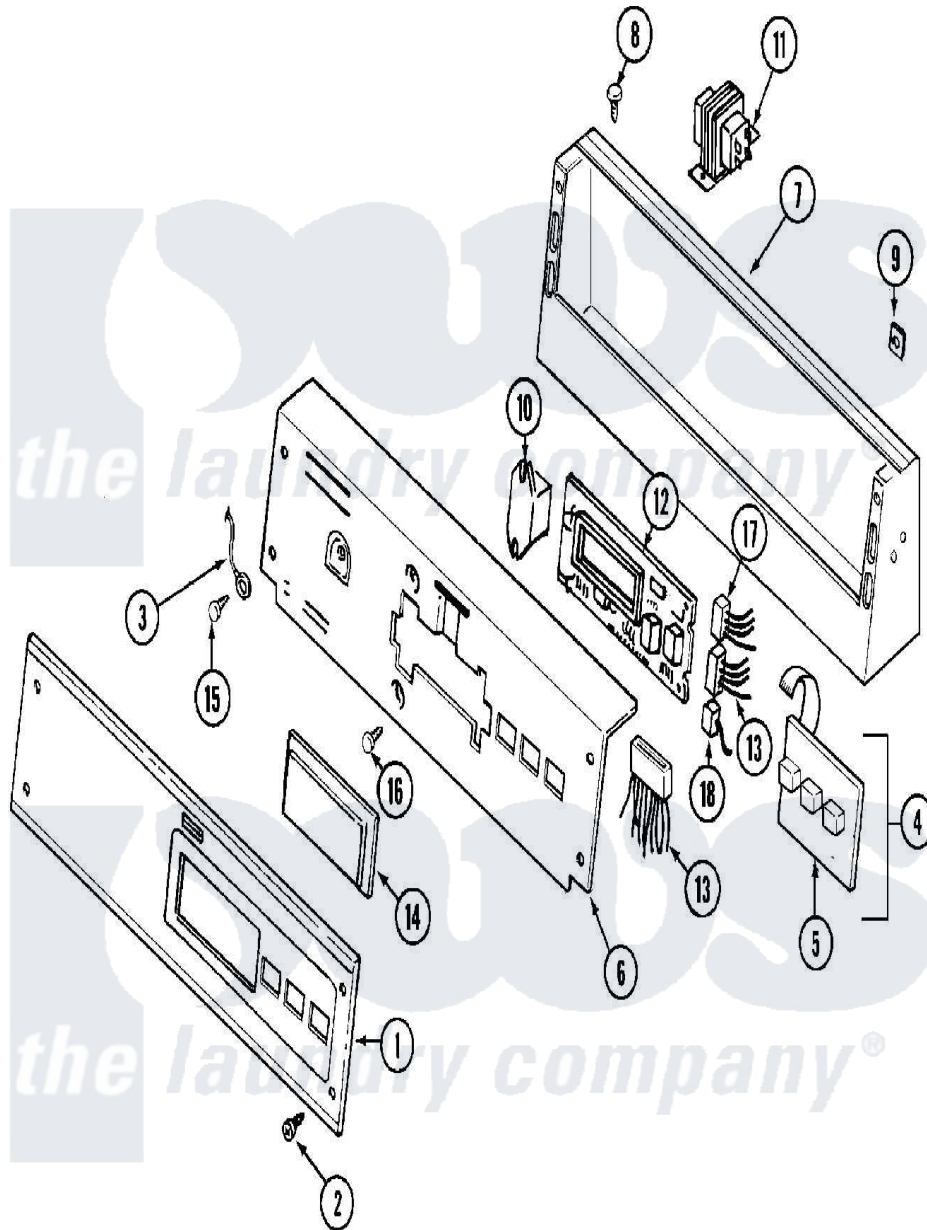


# Maytag MDE12PSBCW 01 - CONTROL PANEL



Maytag [Commercial Maytag MDE12PSBCW Dryer Parts](#) Parts Diagram 01 - CONTROL PANEL  
 Click on the part number to view part

| Item | Original Part Number     | Replaced By               | Status        | Part Description                        |
|------|--------------------------|---------------------------|---------------|---|
| 001  | <a href="#">33001737</a> |                           |               | Panel, Control                          |
| 002  | <a href="#">215506</a>   |                           |               | Screw, Control Panel Overlay            |
| 003  | <a href="#">22001959</a> |                           |               | Wire, Ground                            |
| 004  | 215527                   | <a href="#">W10140652</a> |               | Screw, 6-20 X 1/2                       |
| "    | <a href="#">306694</a>   |                           |               | Backup Plate With Switch                |
| 005  | 215517                   | <a href="#">W10131113</a> |               | Push Button                             |
| 006  | 33001736                 |                           | Not Available | PLATE, BACK-UP (WHT)                    |
| 007  | NLA                      |                           | Not Available | CONSOLE (WHT)                           |
| 008  | 212276                   | <a href="#">W10116760</a> |               | Screw                                   |
| 009  | <a href="#">215003</a>   |                           |               | Fastener, Panel And Bracket             |
| 010  | 206824                   | <a href="#">W10133335</a> |               | Relay, Motor                            |
| "    | <a href="#">Y313559</a>  |                           |               | Screw                                   |
| 011  | <a href="#">211294</a>   | <a href="#">90767</a>     |               | Screw, 8A X 3/8 HeX Washer Head Tapping |
| "    | <a href="#">22001960</a> |                           |               | Transformer                             |
| 012  | <a href="#">33001204</a> |                           |               | Stand-Off, Ccontrol Board               |
| "    | 33001738                 | <a href="#">W10130081</a> |               | Control Board                           |

|     |                          |                           |                                |
|-----|--------------------------|---------------------------|--------------------------------|
| "   | <a href="#">912077</a>   |                           | Locknut, Reader Harness        |
| 013 | <a href="#">314531</a>   |                           | Connector, Edgeboard           |
| "   | 33001743                 | <a href="#">33001879</a>  | Wire Harness, Main             |
| "   | <a href="#">33001879</a> |                           | Wire Harness, Main             |
| "   | NLA                      | Not Available             | WIRE HARNESS, MAIN             |
| 014 | 22001962                 | <a href="#">W10131114</a> | Cover, Display                 |
| 015 | <a href="#">211252</a>   |                           | Screw, Ground Wire             |
| 016 | <a href="#">215526</a>   |                           | Screw, Circuit Board           |
| 017 | <a href="#">22001965</a> |                           | Optic Switch Assembly          |
| "   | NLA                      | Not Available             | CONNECTOR, EDGEBOARD-<br>---NA |
| 018 | <a href="#">22001361</a> |                           | Connector, Edgeboard           |
| "   | <a href="#">22001966</a> |                           | Harness, Sensor Switch         |

*the laundry company*<sup>®</sup>

*the laundry company*<sup>®</sup>

*the laundry company*<sup>®</sup>