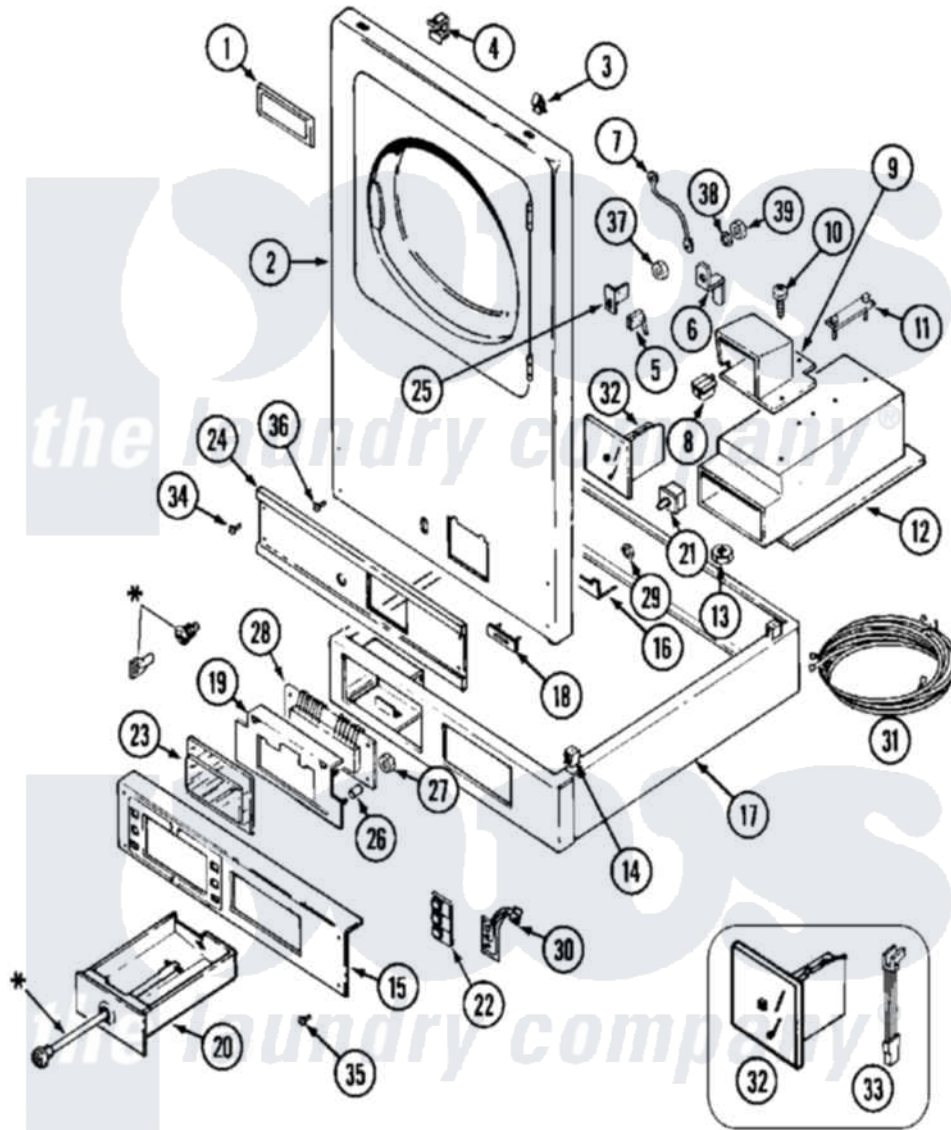


# Maytag MDE13PDACL 01 - CONTROLS & UPPER PANEL



**\*Contact Your Commercial Distributor for Locks & Keys**

Maytag [Commercial Maytag MDE13PDACL Dryer Parts](#) Parts Diagram 01 - CONTROLS & UPPER PANEL  
 Click on the part number to view part

Item	Original Part Number	Replaced By	Status	Part Description
001	33001711	<a href="#">33002936</a>		Medallion-
002	33001447		Not Available	PANEL, FRONT (UPR-WHT)
"	33001486	<a href="#">98008544</a>		Screw
"	NLA		Not Available	PANEL, FRONT (UPR-ALM)
003	212982	<a href="#">22001650</a>		Fastener, Spring
004	<a href="#">Y310376</a>			Clip, Door Switch Harness
005	912012	<a href="#">3400409</a>		Screw
"	<a href="#">Y306232</a>			Switch, Access
006	314625	<a href="#">206637</a>		Lock Kit
007	Y306712	<a href="#">Y303981</a>		Ground Wire For Latch
008	<a href="#">314635</a>			Chute, Coin
009	NLA		Not Available	COVER, COIN DROP
010	<a href="#">314654</a>			Bolt, Coin Drop Cover
011	22001810		Not Available	STRAP, MOUNTING
"	NLA		Not Available	LOCKWASHER, MOUNTING STRAP
012	<a href="#">910387</a>			Lockwasher, Vault Assembly

"	NLA		Not Available	VAULT ASSEMBLY (WHT)
013	NLA		Not Available	WASHER, COVER BOLT
"	<a href="#">Y052740</a>	<a href="#">62739</a>		Nut, Lock
014	310933	<a href="#">33002194</a>		Nut, Speed
015	NLA		Not Available	CONTROL, EXTRUSION (LWR)
016	<a href="#">Y313561</a>			Screw----NA
"	<a href="#">314631</a>			Bracket, Coin Mechanism
"	Y310632	<a href="#">1163839</a>		Screw
017	NLA		Not Available	SUPPORT ASSEMBLY (WHT)
018	306233		Not Available	STRAP, COIN ACCEPTOR
019	<a href="#">33001201</a>			Plate, Control Mounting
"	910186	<a href="#">99002757</a>		Screw
020	<a href="#">308143</a>			Tray, Coin
"	308143L	<a href="#">308143</a>		Tray, Coin
021	<a href="#">33001250</a>			Switch, Vault And Service Door
022	<a href="#">33001156</a>			Button, Control
023	<a href="#">33001209</a>			Cover, Display
024	NLA		Not Available	CONTROL, EXTRUSION (UPR)
025	<a href="#">314634</a>			Bracket, Access Switch
026	<a href="#">33001204</a>			Stand-Off, Ccontrol Board
027	<a href="#">912077</a>			Locknut, Reader Harness
028	33001290	<a href="#">33002605</a>		Circuit Board Assembly
029	Y052659	<a href="#">Y052655</a>		Hex Nut, No.8-32
030	33001200	<a href="#">33002449</a>		Switch, Membrane
031	<a href="#">314522</a>			Grommet, Strain Relief
"	<a href="#">33001410</a>			Wire Harness, Main
"	<a href="#">33001411</a>			(LWR)
"	910768	<a href="#">M0280301</a>		Tie Electr
"	NLA		Not Available	WIRE HARNESS, MAIN (UPR)
032	<a href="#">308121</a>			Rejector Assembly
"	<a href="#">Y308123</a>			Rejector Assembly
033	<a href="#">315427</a>			Screw, Switch Assembly
"	33001025	<a href="#">33001985</a>		Switch, Optic
034	<a href="#">215506</a>			Screw, Control Panel Overlay
"	<a href="#">315489</a>			Screw, Extrusion And Front
035	<a href="#">215506</a>			Screw, Control Panel Overlay
036	314666		Not Available	SCREW, PANEL (UPR)
"	NLA		Not Available	CLIP, CABINET SCREW
037	212328	<a href="#">W10139762</a>		Hex Nut, 3/4-27
038	22001354	<a href="#">W10177242</a>		Hex-Nut 9/32 - 28
039	<a href="#">22001355</a>			Nut, Lock Cam