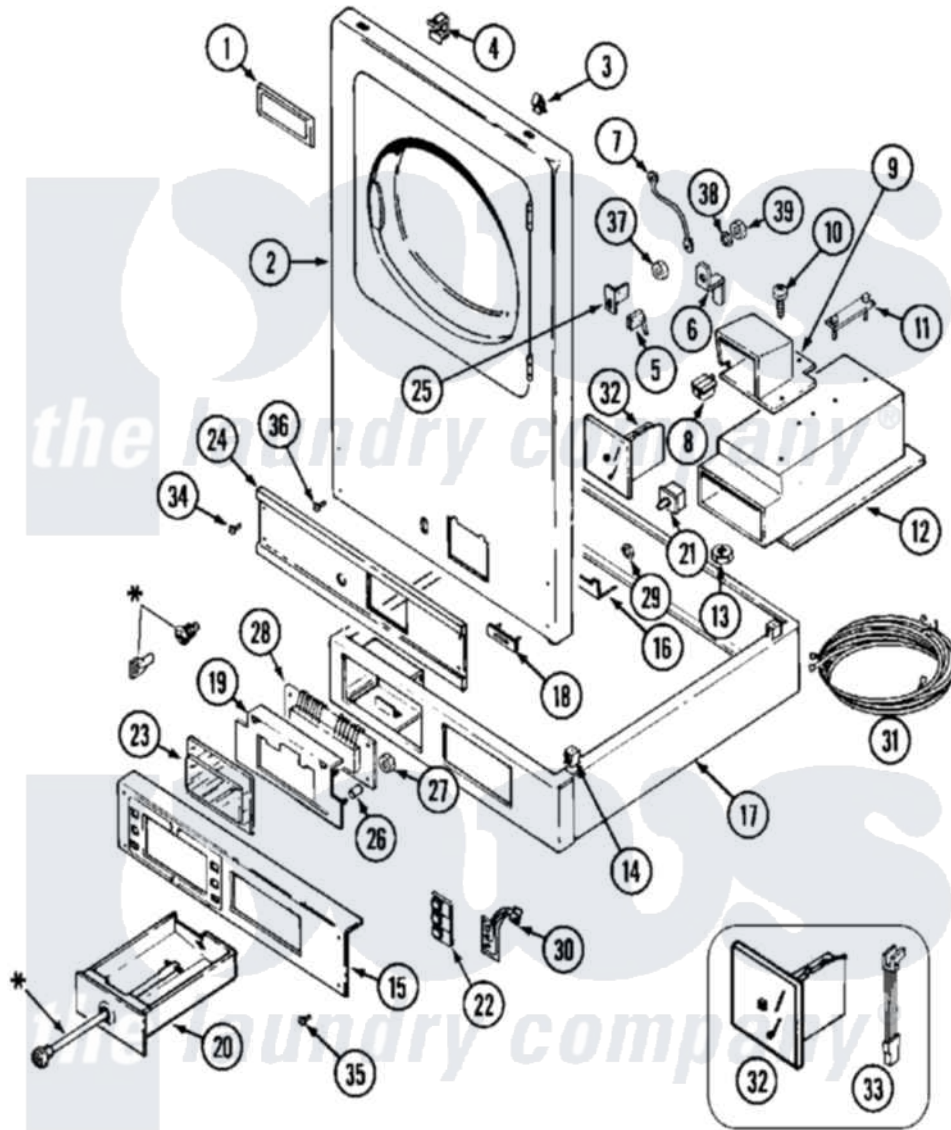


Maytag MDE13PDACW 01 - CONTROLS & UPPER PANEL



***Contact Your Commercial Distributor for Locks & Keys**

Maytag [Commercial Maytag MDE13PDACW Dryer Parts](#) Parts Diagram 01 - CONTROLS & UPPER PANEL
 Click on the part number to view part

Item	Original Part Number	Replaced By	Status	Part Description
001	33001711	33002936		Medallion-
002	33001447		Not Available	PANEL, FRONT (UPR-WHT)
"	33001486	98008544		Screw
"	NLA		Not Available	PANEL, FRONT (UPR-ALM)
003	212982	22001650		Fastener, Spring
004	Y310376			Clip, Door Switch Harness
005	912012	3400409		Screw
"	Y306232			Switch, Access
006	314625	206637		Lock Kit
007	Y306712	Y303981		Ground Wire For Latch
008	314635			Chute, Coin
009	NLA		Not Available	COVER, COIN DROP
010	314654			Bolt, Coin Drop Cover
011	22001810		Not Available	STRAP, MOUNTING
"	NLA		Not Available	LOCKWASHER, MOUNTING STRAP
012	910387			Lockwasher, Vault Assembly

"	NLA		Not Available	VAULT ASSEMBLY (WHT)
013	NLA		Not Available	WASHER, COVER BOLT
"	Y052740	62739		Nut, Lock
014	310933	33002194		Nut, Speed
015	NLA		Not Available	CONTROL, EXTRUSION (LWR)
016	Y313561			Screw----NA
"	314631			Bracket, Coin Mechanism
"	Y310632	1163839		Screw
017	NLA		Not Available	SUPPORT ASSEMBLY (WHT)
018	306233		Not Available	STRAP, COIN ACCEPTOR
019	33001201			Plate, Control Mounting
"	910186	99002757		Screw
020	308143			Tray, Coin
"	308143L	308143		Tray, Coin
021	33001250			Switch, Vault And Service Door
022	33001156			Button, Control
023	33001209			Cover, Display
024	NLA		Not Available	CONTROL, EXTRUSION (UPR)
025	314634			Bracket, Access Switch
026	33001204			Stand-Off, Ccontrol Board
027	912077			Locknut, Reader Harness
028	33001290	33002605		Circuit Board Assembly
029	Y052659	Y052655		Hex Nut, No.8-32
030	33001200	33002449		Switch, Membrane
031	314522			Grommet, Strain Relief
"	33001410			Wire Harness, Main
"	33001411			(LWR)
"	910768	M0280301		Tie Electr
"	NLA		Not Available	WIRE HARNESS, MAIN (UPR)
032	308121			Rejector Assembly
"	Y308123			Rejector Assembly
033	315427			Screw, Switch Assembly
"	33001025	33001985		Switch, Optic
034	215506			Screw, Control Panel Overlay
"	315489			Screw, Extrusion And Front
035	215506			Screw, Control Panel Overlay
036	314666		Not Available	SCREW, PANEL (UPR)
"	NLA		Not Available	CLIP, CABINET SCREW
037	212328	W10139762		Hex Nut, 3/4-27
038	22001354	W10177242		Hex-Nut 9/32 - 28
039	22001355			Nut, Lock Cam