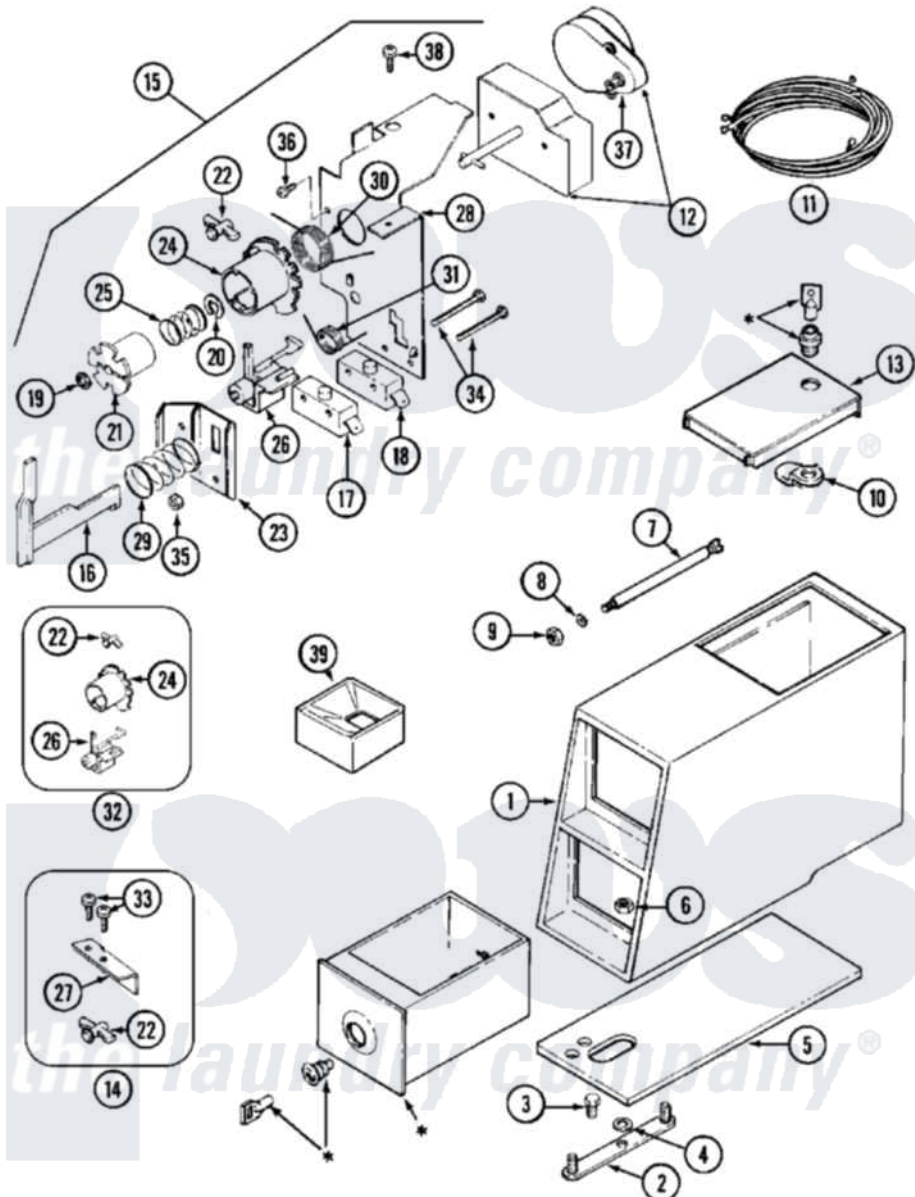


Maytag MDE16CSAKA 02 - CONTROL CENTER



* CONTACT YOUR COMMERCIAL LAUNDRY DISTRIBUTOR

Maytag [Commercial Maytag MDE16CSAKA Dryer Parts](#) Parts Diagram 02 - CONTROL CENTER
 Click on the part number to view part

Item	Original Part Number	Replaced By	Status	Part Description
001	22002479	22002885		Vault, Coin
"	22002885			Vault, Coin
002	22001810		Not Available	STRAP, MOUNTING
003	211294	90767		Screw, 8A X 3/8 HeX Washer Head Tapping
004	910309			Washer, Mounting Strap
005	22002073	22002618		Gasket, Control Center
"	22002618			Gasket, Control Center
006	Y052740	62739		Nut, Lock
007	22001903	8576635		Bolt
008	910387			Lockwasher, Vault Assembly
009	Y052721			Nut, Terminal Block Plate
010	NLA		Not Available	CAM, LOCKING
011	33001195			Wire Harness, Timer
012	33001202	33002135		Timer 220
013	22001881			Grommet, Double
"	22001882			Latch, Access Door

"	22001883	214354	Screw, Top Cover To Cabnt.
"	22001911	22003692	Timer Access Door Assembly
"	22002886	22003692	Timer Access Door Assembly
014	33001688	33002598	Actuator, Dryer Kit
015	33001275		Torsion Timer Assembly
016	314337	33002968	Slider
017	305798	Not Available	BYPASS SWITCH FOR MOTOR
018	Y305799		Bypass Switch For Heater
019	211790		Lock Ring For Timer Shaft
020	Y312270		Clip, Spring Retainer
021	314330	Not Available	DRIVER FOR INDEX WHEEL (NOT INCLUDED W/KIT)
022	314335		Peg, Tine Adjustment
"	314547	Y308109	Slide And Adj. Return Bracket
023	314339		Switch And Slider Bracket
024	314546		Wheel, Index
025	211065		Spring, Index Wheel
026	314548	33002967	Actuator, Switch
027	33001708		Bracket, Coin Slide
028	33001207	33002702	Timer Bracket
029	NLA	Not Available	SPRING, HELICAL
030	314331		Spring, Torsion Return
031	314332		Spring, Actuator
032	306104		Actuator Switch Kit
033	212707	3196385	Screw
034	315277		Screw
035	Y052634	701719	Nut, Hex
036	910708	488234	Screw 8-32 X 1/4
037	Y308991		Motor, Timer
038	211168	W10139210	Screw, 8-18 X 5/16
039	22002533		Weld Assembly, Funnel
"	22002534		Bolt, Carriage

