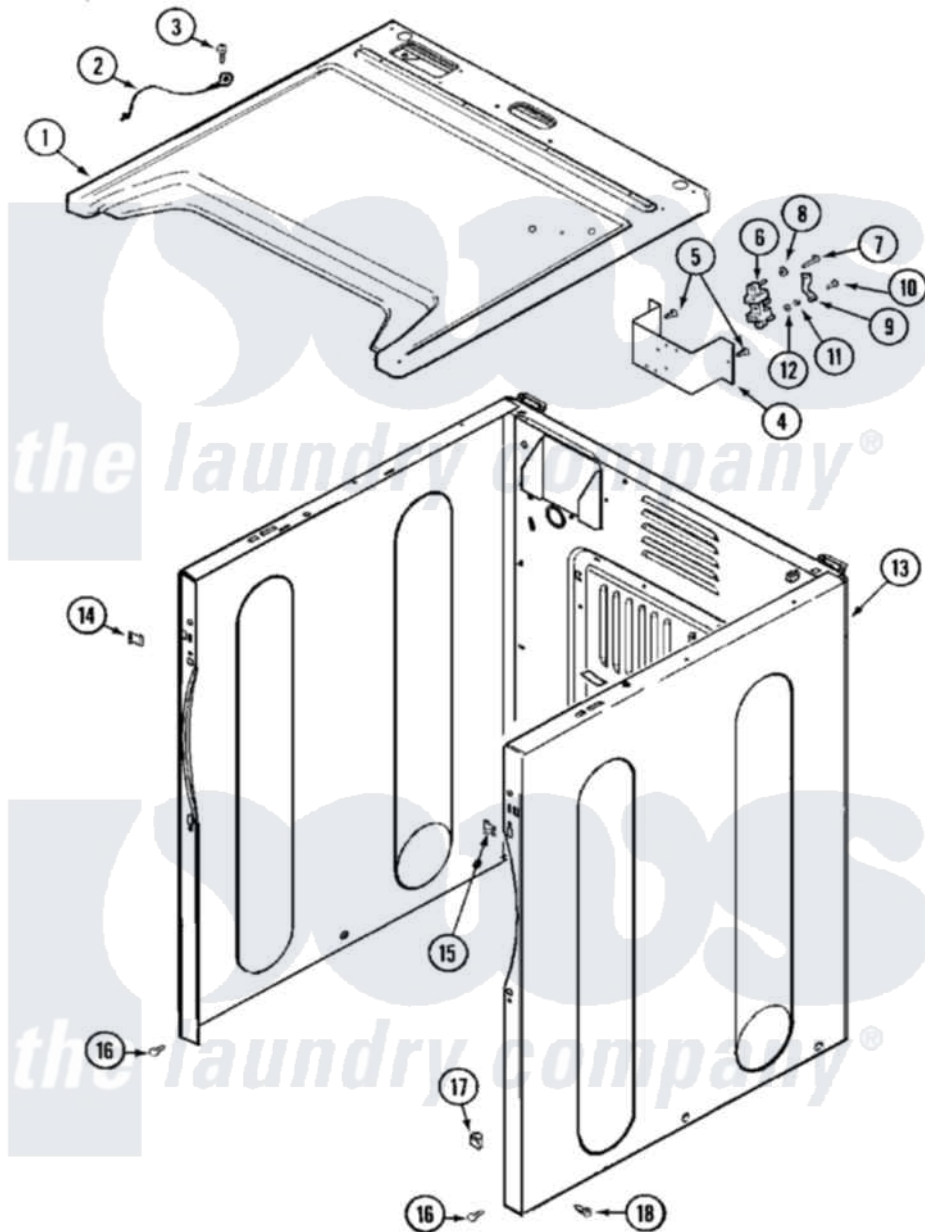


Maytag MDE16CSDZW 03 - CABINET-FRONT



Maytag Commercial Maytag MDE16CSDZW Dryer Parts Parts Diagram 03 - CABINET-FRONT
 Click on the part number to view part

| Item | Original Part Number | Replaced By | Status | Part Description |
|------|--------------------------|---------------------------|---------------|---|
| 001 | 33002633 | | | Cover, Top |
| 002 | 22001959 | | | Wire, Ground |
| 003 | 210186 | 3370225 | | Screw |
| 004 | NLA | | Not Available | BRACKET, TERMINAL BLOCK---NA |
| 005 | 22001995 | | | Screw Note: Screw, Tumbler Front And Shroud |
| 006 | 33001244 | | | Block, Terminal |
| " | 33002106 | | | Shield, Terminal Block |
| " | 33002259 | | | Block, Terminal |
| 007 | Y312209 | W10001200 | | Screw |
| 008 | Y311270 | | | Washer, Terminal Block |
| 009 | Y312184 | | | Strap, Grounding |
| 010 | NLA | | Not Available | SCREW, GROUND STRAP |
| 011 | 311484 | 112432 | | Nut |
| 012 | 311093 | | | Washer, Terminal Connection |
| 013 | NLA | | Not Available | CABINET ASSY (WHT-AS) |

013

NLA

Not Available

PK)

014 [22002049](#)

Clip Note: Clip, Front Panel

015 213280

[204439](#)

Screw And Fstner Assembly

016 [22001995](#)

Screw Note: Screw, Tumbler
Front And Shroud

017 [Y310376](#)

Clip, Door Switch Harness

018 [213007](#)

Xfor Cabinet See Cabinet,
Back

