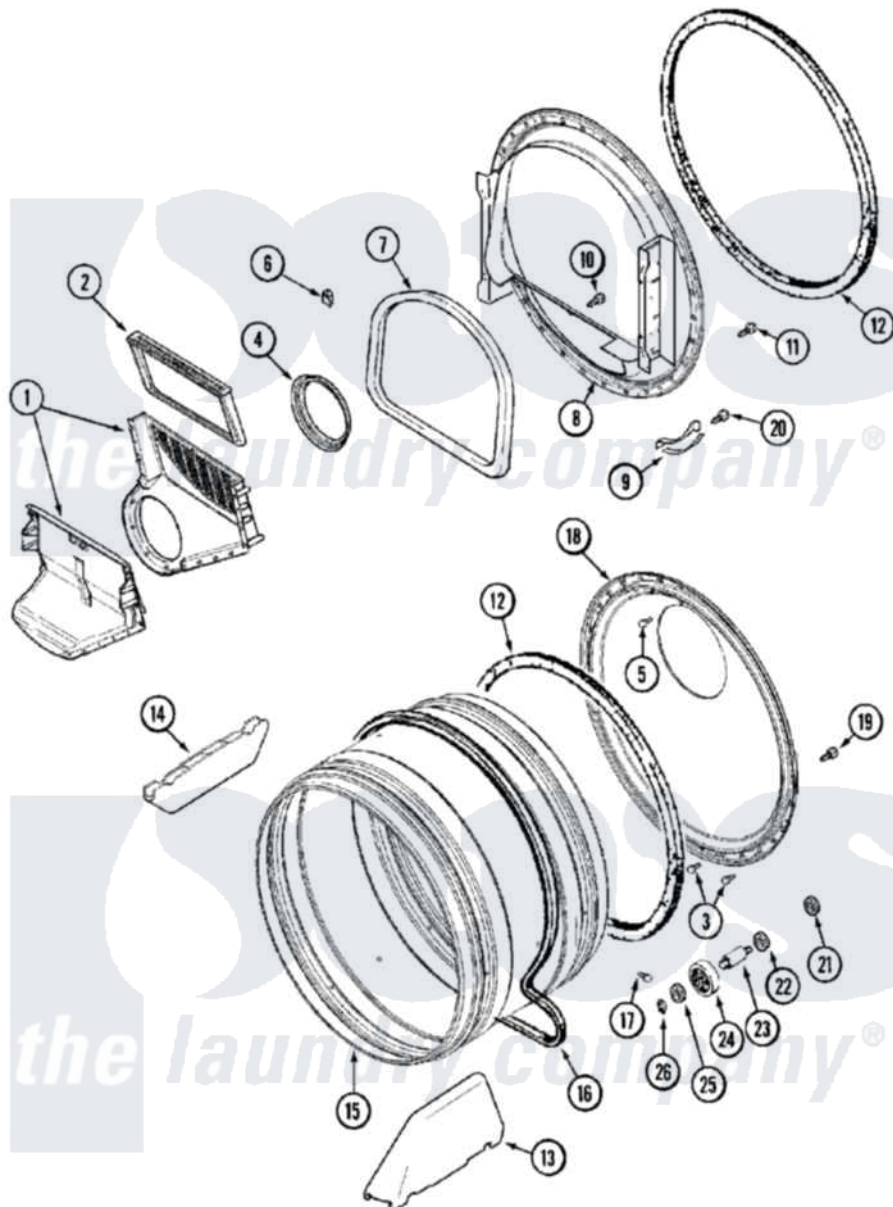


# Maytag MDE16MNDZW 08 - TUMBLER



Maytag [Commercial Maytag MDE16MNDZW Dryer Parts](#) Parts Diagram 08 - TUMBLER  
 Click on the part number to view part

Item	Original Part Number	Replaced By	Status	Part Description
001	<a href="#">33001799</a>			Outlet Duct Assembly Note: Outlet Duct Assembly
002	<a href="#">33002790</a>			Lint Filter
003	<a href="#">210932</a>			Screw, No.8 X 9/16 Ctsk Note: Screw, Inlet Duct
004	<a href="#">33002560</a>			Seal, Blower
005	22001996	<a href="#">3370225</a>		Screw
006	<a href="#">Y310376</a>			Clip, Door Switch Harness
007	<a href="#">33001767</a>			Seal, Shroud
008	<a href="#">33001802</a>			Front, Tumbler
009	<a href="#">306508</a>			Tumbler Bearing Kit ---W
010	NLA		Not Available	SCREW, OUTLET DUCT (PHILLIPS)
011	33001855	<a href="#">33002917</a>		Screw, No.10-16
012	<a href="#">33001807</a>			Seal, Tumbler
013	33001756	<a href="#">33002032</a>		Baffle
014	<a href="#">33001755</a>			Baffle

015	33001794	<a href="#">33001889</a>	Tumbler
016	<a href="#">33002535</a>		V-Belt
017	33001788	<a href="#">33002973</a>	Screw, No.9-15 X 1.00 Hx WS
018	<a href="#">33002779</a>		Tumbler Back And Seal As-Pack
"	<a href="#">33003037</a>		Tumbler Back And Seal
019	<a href="#">22001995</a>		Screw Note: Screw, Tumbler Front And Shroud
020	<a href="#">210720</a>		Rivet, Bearing To Tumbler Fmt
021	<a href="#">33001443</a>		Nut, Hex
022	Y313347	<a href="#">312535</a>	Washer, Vault Mounting Brk.
023	Y312948	<a href="#">6-3129480</a>	Shaft- Tumbler
024	Y303373	<a href="#">12001541</a>	Drum Roller/Washer Assembly--W
025	<a href="#">312535</a>		Washer, Vault Mounting Brk.
026	410233	<a href="#">9703438</a>	Ring-Retrn

