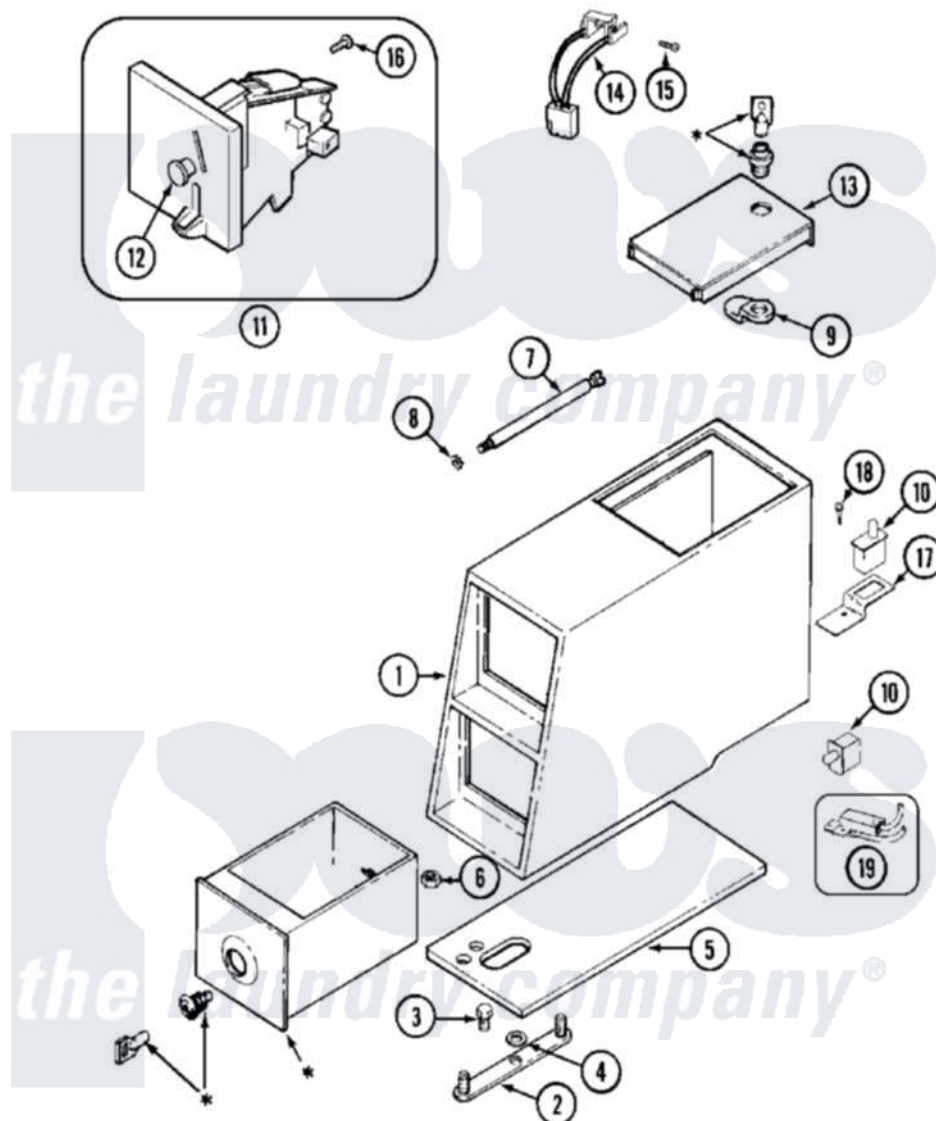


Maytag MDE16PDCZW 02 - CONTROL CENTER



* CONTACT YOUR COMMERCIAL LAUNDRY DISTRIBUTOR

Maytag [Commercial Maytag MDE16PDCZW Dryer Parts](#) Parts Diagram 02 - CONTROL CENTER

[Click on the part number to view part](#)

Item	Original Part Number	Replaced By	Status	Part Description
001	212276	W10116760		Screw
"	22002480			Vault, Coin PD Coin Drop Supplied By Dist.
002	22001810		Not Available	STRAP, MOUNTING
003	22001996	3370225		Screw
004	910309			Washer, Mounting Strap
005	22002072			Gasket, Control Center
006	Y052740	62739		Nut, Lock
007	213035			Bolt, Locking
008	910181			Lockwasher, Terminal Block
009	NLA		Not Available	CAM, LOCKING
010	22002536			Switch, Sensor
011	22001875			Coin Drop Assembly-Dual
"	22002144			Single Faceplate
"	22002535	W10133245		Dual Coin Drop Assembly
"	22003815			Dual Faceplate
"	22004113	W10133245		Dual Coin Drop Assembly

"	22004114		Coin Drop Greenwald .25
"	33002644		Dual Faceplate Assembly
"	33002646		Coin Drop-Canada
012	216200		Face Plate Return Button
013	22001910	22003679	Timer Access Door Assembly
014	22001965		Optic Switch Assembly
015	314665		Screw, Switch Assembly
016	216068		Screw, Coin Drop
017	22001404		Bracket, Service Switch
018	212276	W10116760	Screw
019	22001966		Harness, Sensor Switch

Howes
the laundry company®

Howes
the laundry company®

Howes
the laundry company®