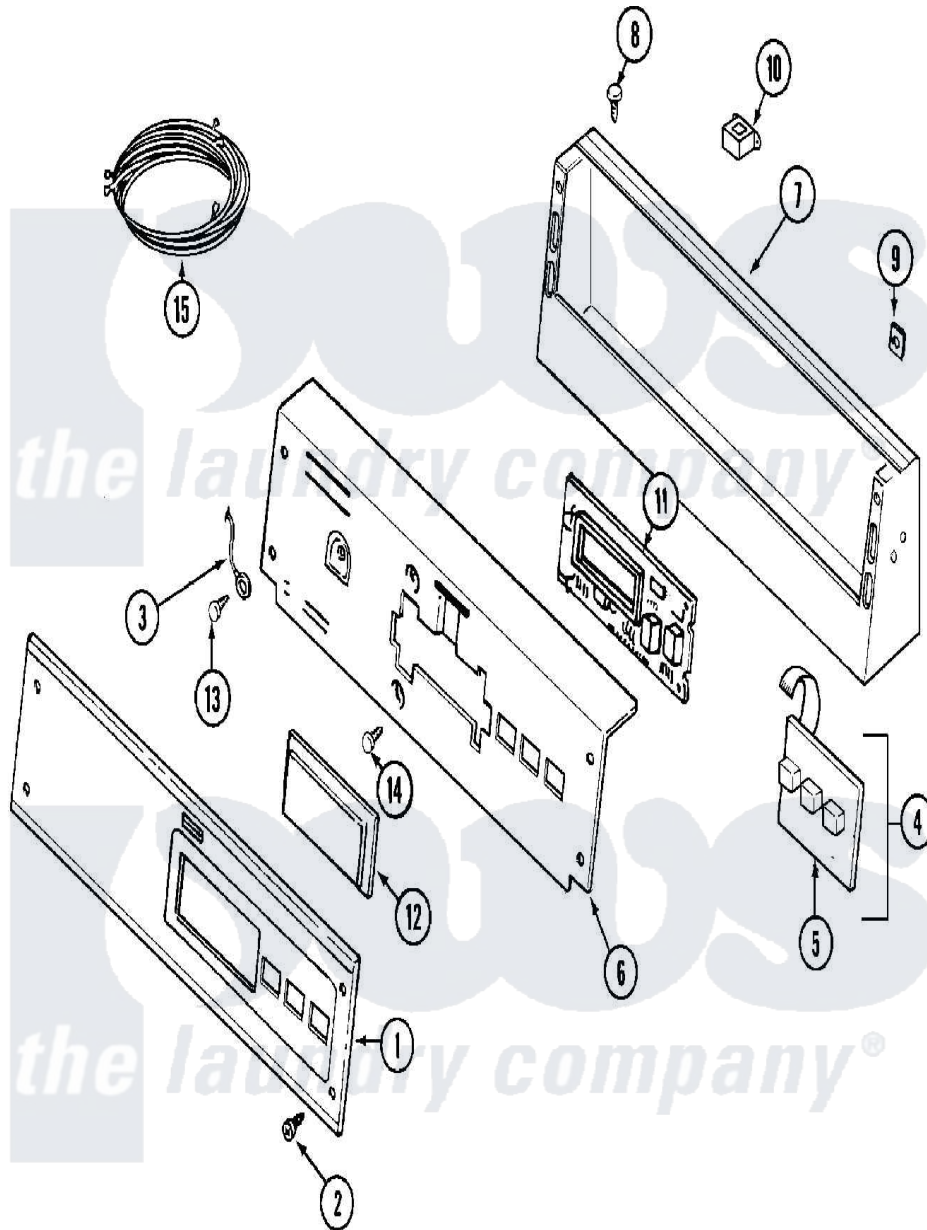


Maytag MDE16PRAZW 01 - CONTROL PANEL



Maytag [Commercial Maytag MDE16PRAZW Dryer Parts](#) Parts Diagram 01 - CONTROL PANEL
 Click on the part number to view part

| Item | Original Part Number | Replaced By | Status | Part Description |
|------|--------------------------|---------------------------|--------|------------------------------|
| 001 | 22001976 | | | Bezel |
| " | 315211 | 22002354 | | Screw, Back Bracket |
| " | 33001955 | 33002939 | | Facia - Pr |
| 002 | 215506 | | | Screw, Control Panel Overlay |
| 003 | 22001959 | | | Wire, Ground |
| 004 | 215527 | W10140652 | | Screw, 6-20 X 1/2 |
| " | 306694 | | | Backup Plate With Switch |
| 005 | 215517 | W10131113 | | Push Button |
| 006 | 22001511 | 22002954 | | Deflector, Water |
| " | 33001956 | W10124215 | | Bracket, Control |
| " | 33002523 | | | Bracket, Back |
| 007 | 22003101 | | | Console |
| " | 33001957 | | | Console |
| 008 | 22001996 | 3370225 | | Screw |
| 009 | 215003 | | | Fastener, Panel And Bracket |
| 010 | 211251 | | | Screw, Transformer |

| | | | |
|-----|--------------------------|---------------------------|---------------------------|
| " | 22001419 | | Nut, Transformer |
| " | 22001960 | | Transformer |
| " | 22002139 | | Transformer |
| " | 33001821 | | Transformer |
| 011 | 33001204 | | Stand-Off, Ccontrol Board |
| " | 33001746 | W10130081 | Control Board |
| " | 912077 | | Locknut, Reader Harness |
| 012 | 22001962 | W10131114 | Cover, Display |
| 013 | 211252 | | Screw, Ground Wire |
| 014 | 215526 | | Screw, Circuit Board |
| 015 | 33001878 | | Wire Harness, Main |
| " | 33001953 | | Wire Harness, Main |
| " | NLA | Not Available | WIRE HARNESS, MAIN |
| 016 | 22001973 | | Harness, Pr Service |
| " | 33001856 | | Reader Harness Kit |

