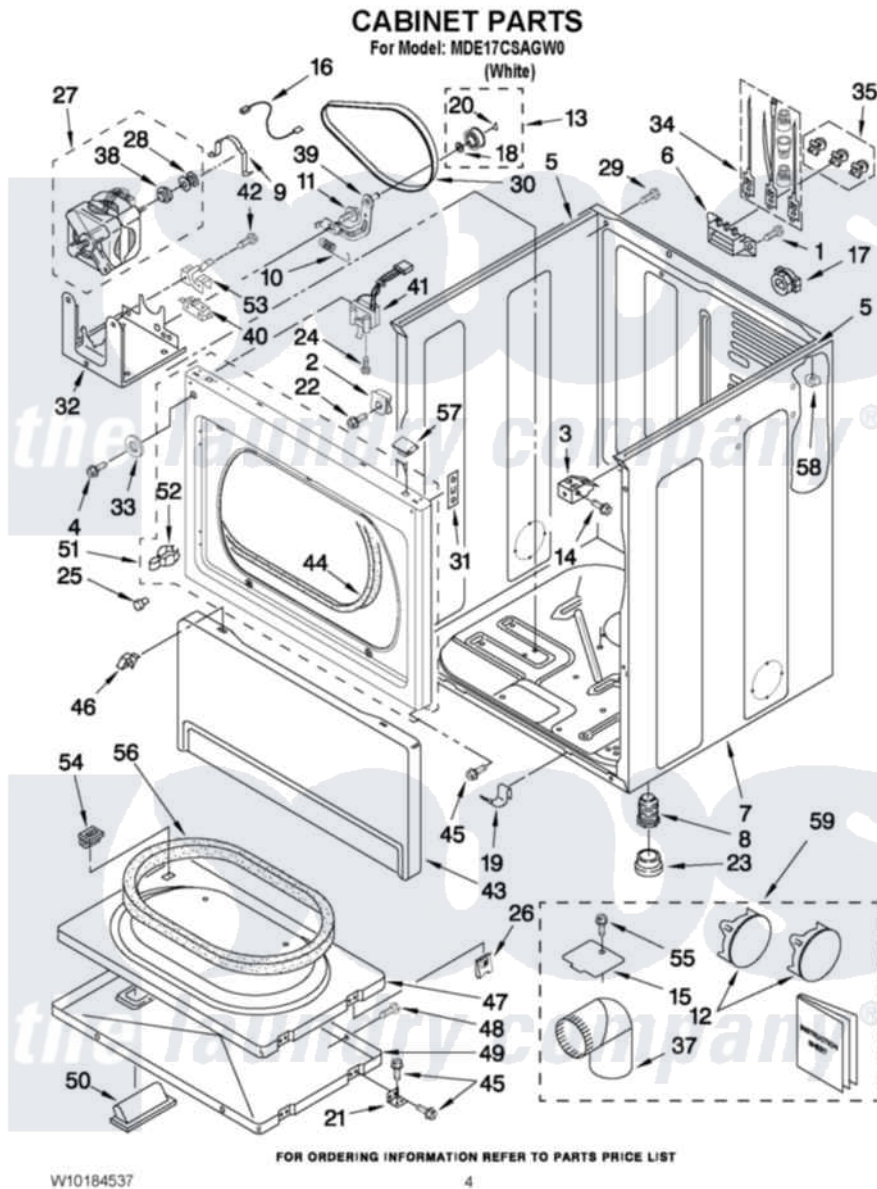


# Maytag MDE17CSAGW0 02 - CABINET PARTS



Maytag Commercial Maytag MDE17CSAGW0 Dryer Parts Parts Diagram 02 - CABINET PARTS  
Click on the part number to view part

Item	Original Part Number	Replaced By	Status	Part Description
1	3393008	<a href="#">308685</a>		Side Trim )
2	<a href="#">W10131123</a>			NUT, 8 U-Type
3	<a href="#">3391846</a>			Clip, Front Panel
4	<a href="#">3400077</a>			Screw, 10-16 X 1/2
5	<a href="#">8318396</a>			Foam-Seal
6	<a href="#">3397659</a>			Block, Terminal
7	<a href="#">8310656</a>			Cabinet
8	3392100	<a href="#">49621</a>		Feet-Leveling
NI	<a href="#">279810</a>			Foot-Optional
9	<a href="#">660658</a>			Clamp, Motor Mounting 343481 685441
10	<a href="#">3387374</a>			Spring, Idler
11	<a href="#">W10080670</a>			Retainer, Idler
12	697750	<a href="#">W10470674</a>		Dryer Exhaust Kit
13	3388672	<a href="#">279640</a>		Pulley-ldr
14	3391915	<a href="#">681615</a>		Screw
15	<a href="#">3394331</a>			Plate Cover

16	<a href="#">3394081</a>		Wire, Broken Belt Switch
17	<a href="#">8316644</a>		Power Cord, Strain Relief
18	<a href="#">233520</a>		Washer, Thrust
19	<a href="#">297092</a>		Clip
20	<a href="#">690997</a>		Washer, Thrust
21	<a href="#">3389247</a>		Hinge And Pin Assembly
22	<a href="#">W10131119</a>		Screw, 8-18 X 5/16
23	<a href="#">3391943</a>		Boot, Foot
24	<a href="#">W10080540</a>		Screw, 6-20 X 7/8
25	<a href="#">693152</a>		Bumper, Console
26	<a href="#">3389249</a>		Nut, Inner Door
27	<a href="#">3404470</a>	<a href="#">W10416573</a>	Motor-Drive
28	3394341	<a href="#">W10299847</a>	Pulley-Motor
29	8533974	<a href="#">4331106</a>	Screw, No.10-32 X 7/16
30	<a href="#">W10131172</a>		Belt, Drive
31	<a href="#">3390902</a>		Clip, Door Hinge
32	<a href="#">3387118</a>		Bracket, Motor
33	3392186	<a href="#">4159590</a>	Washer
34	<a href="#">279318</a>		Terminal Tinned And Brass Panel
35	<a href="#">279393</a>		Terminal Block Screw Kit
37	279731	<a href="#">49026</a>	4" - 90° Elbow
38	<a href="#">3393657</a>		Restrainer, Belt
39	<a href="#">W10118754</a>	<a href="#">W10118756</a>	Idler Bracket
40	<a href="#">8318457</a>		Switch, Broken Belt
41	<a href="#">W10237959</a>		Door Switch Assembly
42	<a href="#">W10118188</a>		Screw, 6-20 X 1 1/16
43	697215	<a href="#">3406797</a>	Toe Panel
44	<a href="#">3387242</a>		Seal, Front Panel
45	<a href="#">W10080310</a>		Screw, 8-18 X 1/2
46	<a href="#">3388229</a>		Retainer, Toe Panel
47	3392563	<a href="#">280083</a>	Door-Rear
48	<a href="#">694091</a>		Trim, Side Right Hand
49	<a href="#">3387872</a>		Door, Front
50	<a href="#">W10116360</a>		Handle, Door
51	3393081	<a href="#">279722</a>	Panel
52	<a href="#">W10080240</a>		Strike, Door
53	<a href="#">W10083220</a>		Lever, Snap Switch
54	3392538	<a href="#">279570</a>	Latch
55	3390647	<a href="#">488729</a>	Screw
56	<a href="#">3390735</a>		Seal, Door
57	<a href="#">345670</a>		Lock, Top
58	<a href="#">90406</a>		Cage Nut, 5/16-18
NI	279818	<a href="#">W10470674</a>	Dryer Exhaust Kit