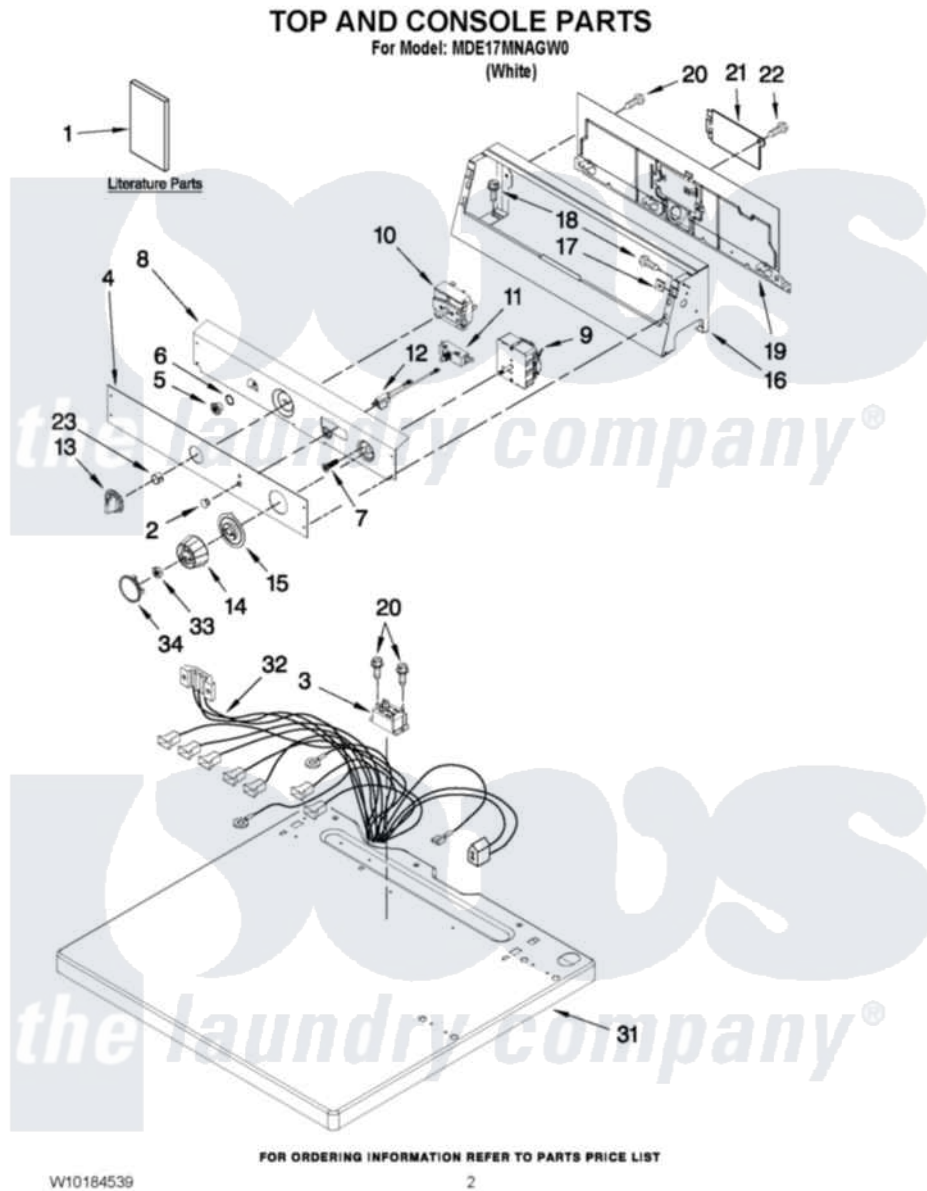


# Maytag MDE17MNAGW0 01 - TOP AND CONSOLE PARTS



Maytag [Commercial Maytag MDE17MNAGW0 Dryer Parts](#) Parts Diagram 01 - TOP AND CONSOLE PARTS  
Click on the part number to view part

Item	Original Part Number	Replaced By	Status	Part Description
1	W10184536		Not Available	Instructions Installation
"	<a href="#">W10163157</a>			Wiring Diagram
"	<a href="#">W10184539</a>			Repair Parts List
2	<a href="#">W10133502</a>			Lens, Pilot Light Amber
3	<a href="#">1188043</a>			Relay, Heater 230V
4	<a href="#">W10135191</a>			Facia / Overlay
5	<a href="#">W10146429</a>			Nut, 8-32 X 3/8
6	<a href="#">W10139799</a>			Washer
7	<a href="#">W10139100</a>			Screw, 8-32 X 1/2
8	<a href="#">W10124216</a>			Bracket, Control
9	<a href="#">W10157945</a>			Timer, Dryer
10	<a href="#">W10137919</a>	<a href="#">W10327100</a>		Switch, Cycle Selection
11	<a href="#">W10181931</a>			Switch, Push-To-Start
12	<a href="#">W10139459</a>			Lamp-Indicator 230 V.
13	<a href="#">W10133507</a>			Knob
14	<a href="#">W10133505</a>			Knob, Control

15	<a href="#">W10133506</a>		Skirt, Dial
16	W10205150	<a href="#">W10235158</a>	Console
17	<a href="#">W10131123</a>		NUT, 8 U-Type
18	<a href="#">W10139210</a>		Screw, 8-18 X 5/16
19	<a href="#">W10121161</a>		Panel, Rear Console
20	<a href="#">W10080820</a>		Screw, 8-18 X .298
21	<a href="#">W10119283</a>		Cover, Terminal Block
22	3390814	<a href="#">90767</a>	Screw, 8A X 3/8 HeX Washer Head Tapping
23	<a href="#">W10140928</a>		Clip, Knob
31	<a href="#">W10136704</a>		Top
32	<a href="#">W10111044</a>		Harness, Main
33	<a href="#">W10155650</a>		Nut, 1/4-28 X 5/32
34	<a href="#">W10133501</a>		Cap, Knob

*the laundry company*<sup>®</sup>

*the laundry company*<sup>®</sup>

*the laundry company*<sup>®</sup>