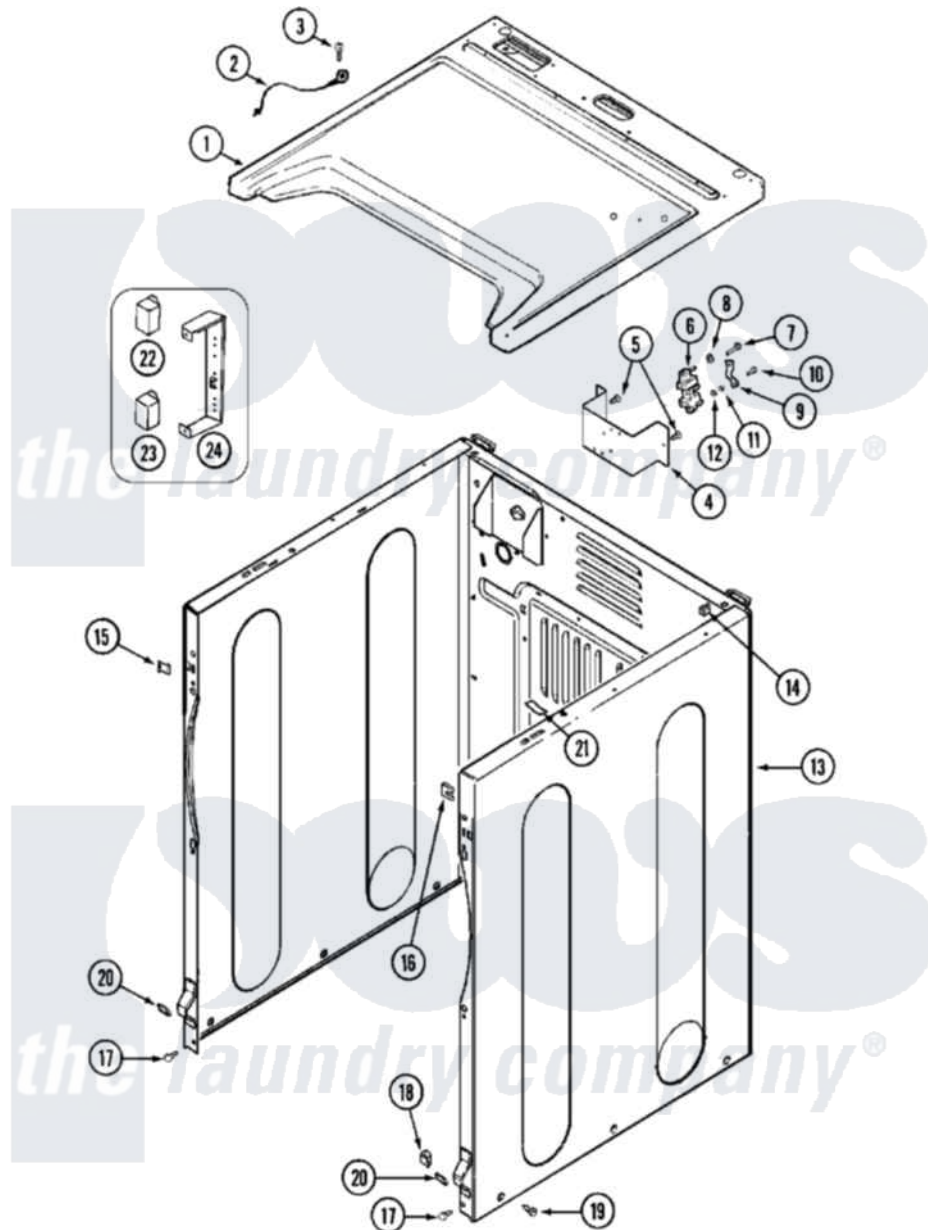


# Maytag MDE21PNDGW 02 - CABINET-FRONT



Maytag Commercial Maytag MDE21PNDGW Dryer Parts Parts Diagram 02 - CABINET-FRONT  
 Click on the part number to view part

| Item | Original Part Number     | Replaced By               | Status        | Part Description                            |
|------|--------------------------|---------------------------|---------------|---|
| 001  | <a href="#">33002627</a> |                           |               | Cover, Top                                  |
| 002  | <a href="#">22001959</a> |                           |               | Wire, Ground                                |
| 003  | 210186                   | <a href="#">3370225</a>   |               | Screw                                       |
| 004  | NLA                      |                           | Not Available | BRACKET, TERMINAL BLOCK---NA                |
| 005  | <a href="#">22001995</a> |                           |               | Screw Note: Screw, Tumbler Front And Shroud |
| 006  | <a href="#">33001244</a> |                           |               | Block, Terminal                             |
| "    | <a href="#">33002106</a> |                           |               | Shield, Terminal Block                      |
| 007  | <a href="#">Y312209</a>  | <a href="#">W10001200</a> |               | Screw                                       |
| 008  | <a href="#">Y311270</a>  |                           |               | Washer, Terminal Block                      |
| 009  | <a href="#">Y312184</a>  |                           |               | Strap, Grounding                            |
| 010  | <a href="#">Y312209</a>  | <a href="#">W10001200</a> |               | Screw                                       |
| 011  | <a href="#">311484</a>   | <a href="#">112432</a>    |               | Nut   |
| 012  | <a href="#">311093</a>   |                           |               | Washer, Terminal Connection                 |
| 013  | <a href="#">22003639</a> |                           |               | Cabinet Assembly                            |
| 014  | 310933                   | <a href="#">33002194</a>  |               | Nut, Speed                                  |

|     |                          |                           |   |
|-----|--------------------------|---------------------------|---|
| 015 | <a href="#">22002049</a> |                           | Clip Note: Clip, Front Panel                |
| 016 | 213280                   | <a href="#">204439</a>    | Screw And Fstner Assembly                   |
| 017 | <a href="#">22001995</a> |                           | Screw Note: Screw, Tumbler Front And Shroud |
| 018 | <a href="#">Y310376</a>  |                           | Clip, Door Switch Harness                   |
| 019 | 22003409                 | <a href="#">213007</a>    | Xfor Cabinet See Cabinet, Back              |
| 020 | <a href="#">22002239</a> |                           | Clip, Front Panel                           |
| 021 | <a href="#">33001836</a> |                           | Strap, Top Cover Support                    |
| 022 | 206824                   | <a href="#">W10133335</a> | Relay, Motor                                |
| 023 | <a href="#">306199</a>   |                           | Relay, Heater                               |
| "   | 33002969                 | <a href="#">W10133335</a> | Relay, Motor                                |
| "   | Y251119                  | <a href="#">3177991</a>   | Screw                                       |
| 024 | <a href="#">211294</a>   | <a href="#">90767</a>     | Screw, 8A X 3/8 HeX Washer Head Tapping     |
| "   | <a href="#">314627</a>   |                           | Bracket, Relays                             |

