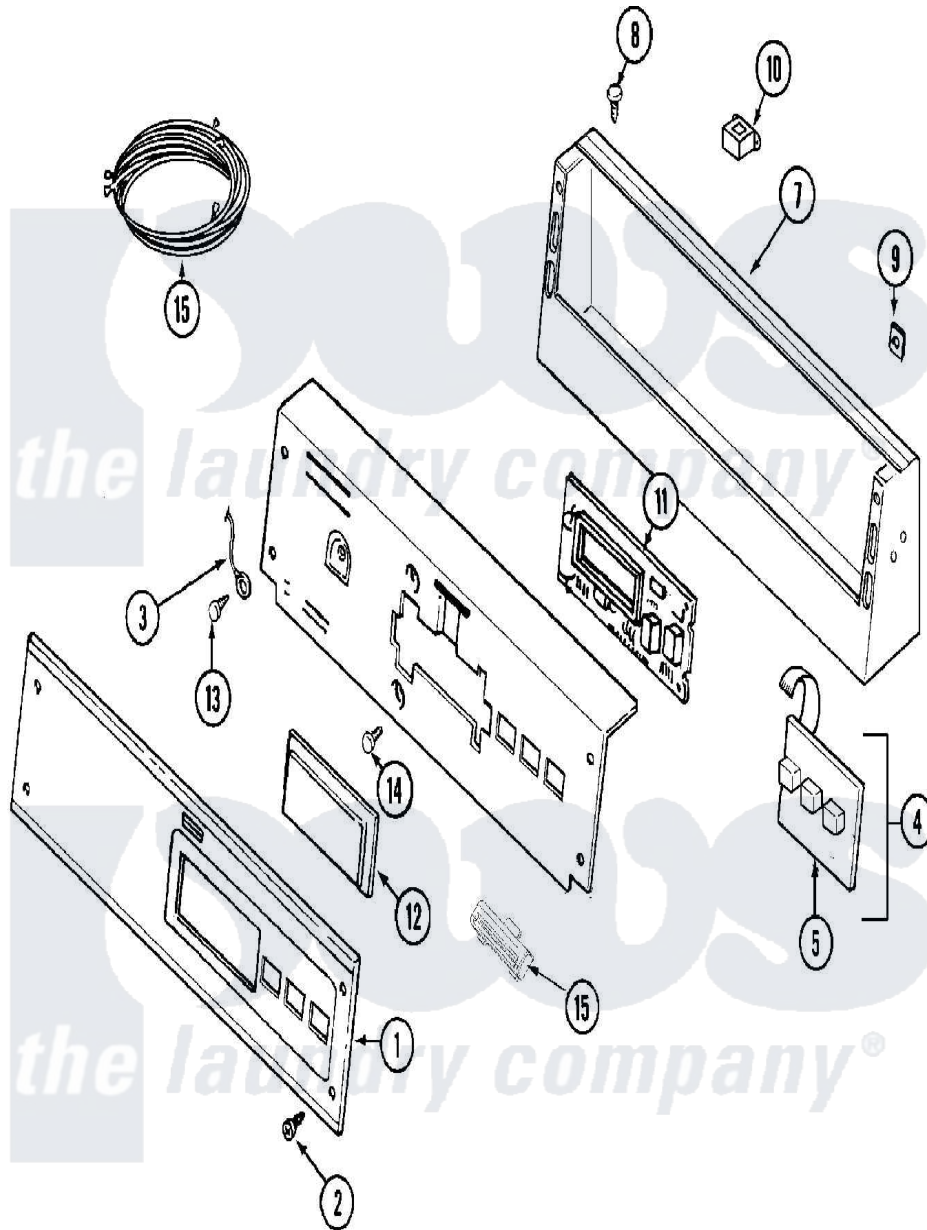


# Maytag MDE21PRAYW 01 - CONTROL PANEL



Maytag [Commercial Maytag MDE21PRAYW Dryer Parts](#) Parts Diagram 01 - CONTROL PANEL  
 Click on the part number to view part

| Item | Original Part Number     | Replaced By               | Status | Part Description             |
|------|--------------------------|---------------------------|--------|------------------------------|
| 001  | <a href="#">33002669</a> |                           |        | Control Panel                |
| 002  | <a href="#">215506</a>   |                           |        | Screw, Control Panel Overlay |
| 003  | <a href="#">22001959</a> |                           |        | Wire, Ground                 |
| 004  | 215527                   | <a href="#">W10140652</a> |        | Screw, 6-20 X 1/2            |
| "    | <a href="#">306694</a>   |                           |        | Backup Plate With Switch     |
| 005  | 215517                   | <a href="#">W10131113</a> |        | Push Button                  |
| 006  | 22001511                 | <a href="#">22002954</a>  |        | Deflector, Water             |
| "    | 33001956                 | <a href="#">W10124215</a> |        | Bracket, Control             |
| 007  | <a href="#">22003101</a> |                           |        | Console                      |
| 008  | 22001996                 | <a href="#">3370225</a>   |        | Screw                        |
| 009  | <a href="#">215003</a>   |                           |        | Fastener, Panel And Bracket  |
| 010  | <a href="#">211251</a>   |                           |        | Screw, Transformer           |
| "    | <a href="#">22001419</a> |                           |        | Nut, Transformer             |
| "    | <a href="#">22001960</a> |                           |        | Transformer                  |
| 011  | <a href="#">33001204</a> |                           |        | Stand-Off, Ccontrol Board    |
| "    | 33001746                 | <a href="#">W10130081</a> |        | Control Board                |

|     |                          |                           |                         |
|-----|--------------------------|---------------------------|-------------------------|
| "   | <a href="#">912077</a>   |                           | Locknut, Reader Harness |
| 012 | 22001962                 | <a href="#">W10131114</a> | Cover, Display          |
| 013 | <a href="#">211252</a>   |                           | Screw, Ground Wire      |
| 014 | <a href="#">215526</a>   |                           | Screw, Circuit Board    |
| 015 | <a href="#">22001976</a> |                           | Bezel                   |
| 016 | <a href="#">33001856</a> |                           | Reader Harness Kit      |
| 017 | <a href="#">22001973</a> |                           | Harness, Pr Service     |
| 018 | <a href="#">33002671</a> |                           | Use And Care Manual     |

