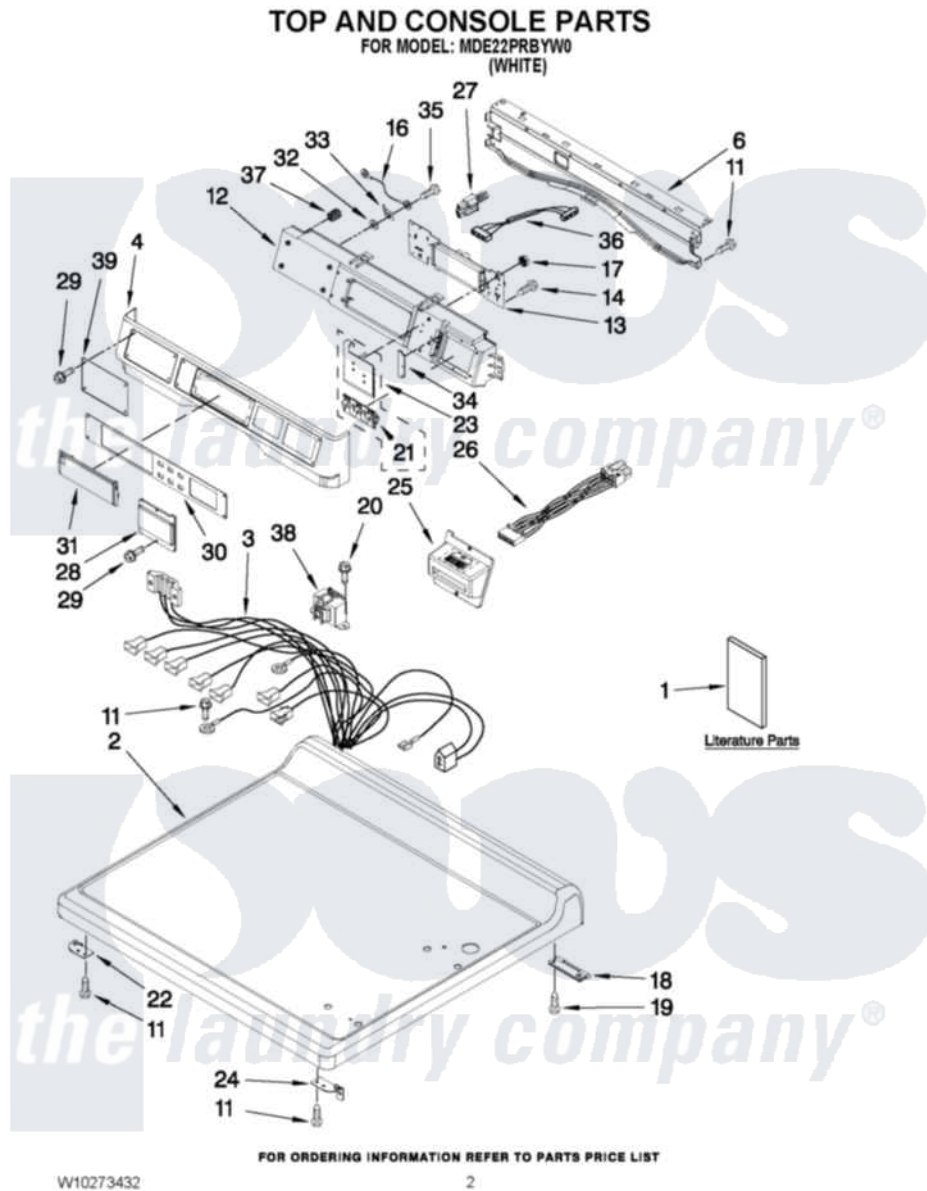


Maytag MDE22PRBYW0 01 - TOP AND CONSOLE PARTS



Maytag [Commercial Maytag MDE22PRBYW0 Dryer Parts](#) Parts Diagram 01 - TOP AND CONSOLE PARTS
Click on the part number to view part

| Item | Original Part Number | Replaced By | Status | Part Description |
|------|---------------------------|------------------------|---------------|--|
| 1 | W10135154 | | Not Available | Installation Instructions |
| " | W10239200 | | Not Available | TECH SHEET |
| " | W10273432 | | | PARTS LIST |
| " | W10165325 | | Not Available | Installation Instructions, Card Reader |
| 2 | W10137410 | | | Top |
| 3 | W10111005 | | | Harness, Main |
| 4 | W10137459 | | | Console |
| 6 | 8565237 | | | Bracket, Console |
| 11 | 3390647 | 488729 | | Screw |
| 12 | W10137427 | | | Console |
| 13 | W10166363 | | | User-Interface Assembly |
| 14 | 489136 | | | Screw, 3-24 X 1/32 |
| 16 | W10188087 | | | Ground Wire Assembly |
| 17 | W10139046 | | | Nut 6-32 |
| 18 | 8565018 | | | Assembly, Hinge And Pin |
| 19 | 342055 | 488627 | | Screw |

| | | | |
|----|---------------------------|---------------------------|--|
| 20 | 8533971 | 90767 | Screw, 8A X 3/8 HeX Washer Head Tapping |
| 21 | W10131113 | | Push Button |
| 22 | W10137445 | | Bracket - Top Panel, Left |
| 23 | W10135255 | | Assembly, Membrane Switch And Backer Plate |
| 24 | W10137444 | | Bracket - Top Panel, Right |
| 25 | W10137454 | | Bezel, Card Reader |
| 26 | W10133304 | | Harness, Wiring Card Reader |
| 27 | W10133282 | | Switch, Jumper Service Vault |
| 28 | W10137477 | W10213906 | Cover, Card Reader |
| 29 | W10137457 | | Screw, 8-32 X 3/64 |
| 30 | W10137439 | W10334889 | Fascia-Console |
| 31 | W10131114 | | Cover, Display |
| 32 | W10189075 | | Washer, Brass |
| 33 | 3373818 | | Tab-Grounding |
| 34 | W10187276 | | Seal, Console |
| 35 | 488234 | | Screw 8-32 X 1/4 |
| 36 | W10166307 | | Harness, Communication |
| 37 | W10189313 | | Inserts |
| 38 | W10131839 | | Transformer 120 To 22.5 Vac |
| 39 | W10137461 | | Fascia-Dispenser |

