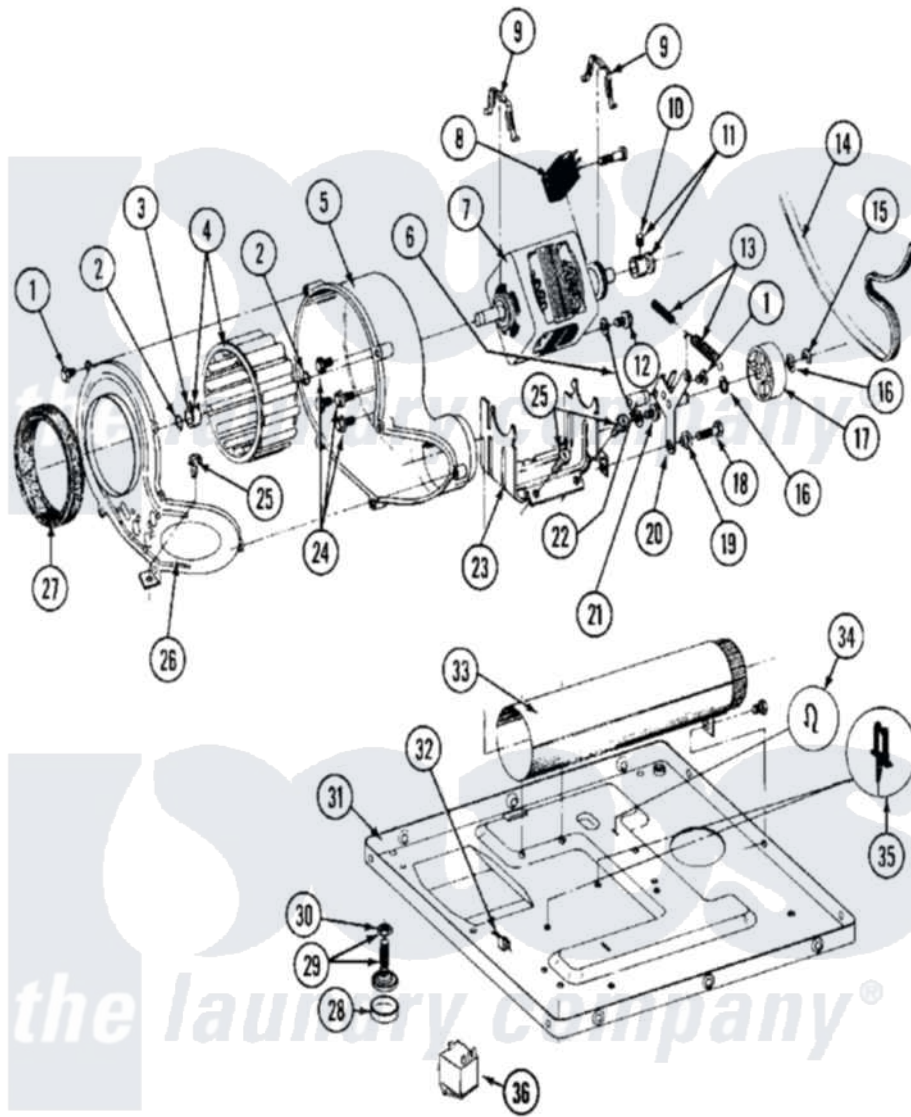


Maytag MDE26CSAGW 08 - MOTOR DRIVE, BLOWER & BASE FRAME



Maytag Commercial Maytag MDE26CSAGW Dryer Parts Diagram 08 - MOTOR DRIVE, BLOWER & BASE FRAME

Click on the part number to view part

| Item | Original Part Number | Replaced By | Status | Part Description |
|------|-------------------------|---------------------------|---------------|---|
| 001 | Y312961 | W10116751 | | Screw |
| 002 | 410233 | 9703438 | | Ring-Retrn |
| 003 | 312967 | | | Clamp, Blower Housing |
| 004 | Y303836 | | | Blower Wheel Assembly And Clamp |
| 005 | Y312893 | | | Housing, Blower |
| 006 | 901220 | | | Ground Wire |
| 007 | Y304656 | | Not Available | MOTOR (240V 50HZ) |
| 008 | NLA | | Not Available | PART NOT USED |
| " | Y303877 | | Not Available | SWITCH, MOTOR EXTERNAL START No.303358-2, No.303358-4, 303358-7 |
| " | Y303879 | | | Switch, Motor External Start |
| 009 | Y015825 | | | Clip, Motor To Motor Support |
| 010 | Y053241 | | | Set Screw, Motor Pulley |
| 011 | 305186 | | | Pulley, Motor |
| 012 | 910343 | 488234 | | Screw 8-32 X 1/4 |

| | | | |
|-----|-------------------------|---------------------------|--|
| 013 | Y303945 | | IDLER SPRING ASSY. W/PLUG |
| 014 | Y312959 | | Poly "V" Belt For Tumbler |
| 015 | 312958 | 354987 | Ring, Retaining |
| 016 | Y312527 | | Washer, Idler Shaft |
| 017 | Y303705 | 6-3037050 | Pulley- ID |
| 018 | Y014874 | | Screw, Idler Arm And Sleeve |
| 019 | Y312894 | 315772 | Sleeve, Idler Arm |
| 020 | Y303363 | 6-3033630 | Idler Arm |
| 021 | 211294 | 90767 | Screw, 8A X 3/8 HeX Washer Head Tapping |
| 022 | Y313582 | W10116756 | Spacer |
| 023 | NLA | | Not Available SUPPORT, MOTOR |
| 024 | Y310632 | 1163839 | Screw |
| 025 | Y313561 | | Screw---NA |
| 026 | 314778 | | Not Available COVER, BLOWER HOUSING |
| 027 | Y312901 | | Seal, Housing Cover |
| 028 | 210684 | | Foot, Adjustable Leg |
| 029 | Y302699 | 22003428 | Leg, Adjustable |
| 030 | 210385 | | Lock Nut For Adjustable Leg |
| 031 | Y303361 | | Not Available BASE ASSY. (UPPER & LOWER) |
| 032 | Y310376 | | Clip, Door Switch Harness |
| 033 | Y303442 | | EXHAUST DUCT ASSEMBLY |
| 034 | 410490 | | Spring, Retainer Wire Harness |
| 035 | Y313262 | W10116752 | Retainer- |

the laundry company[®]

the laundry company[®]