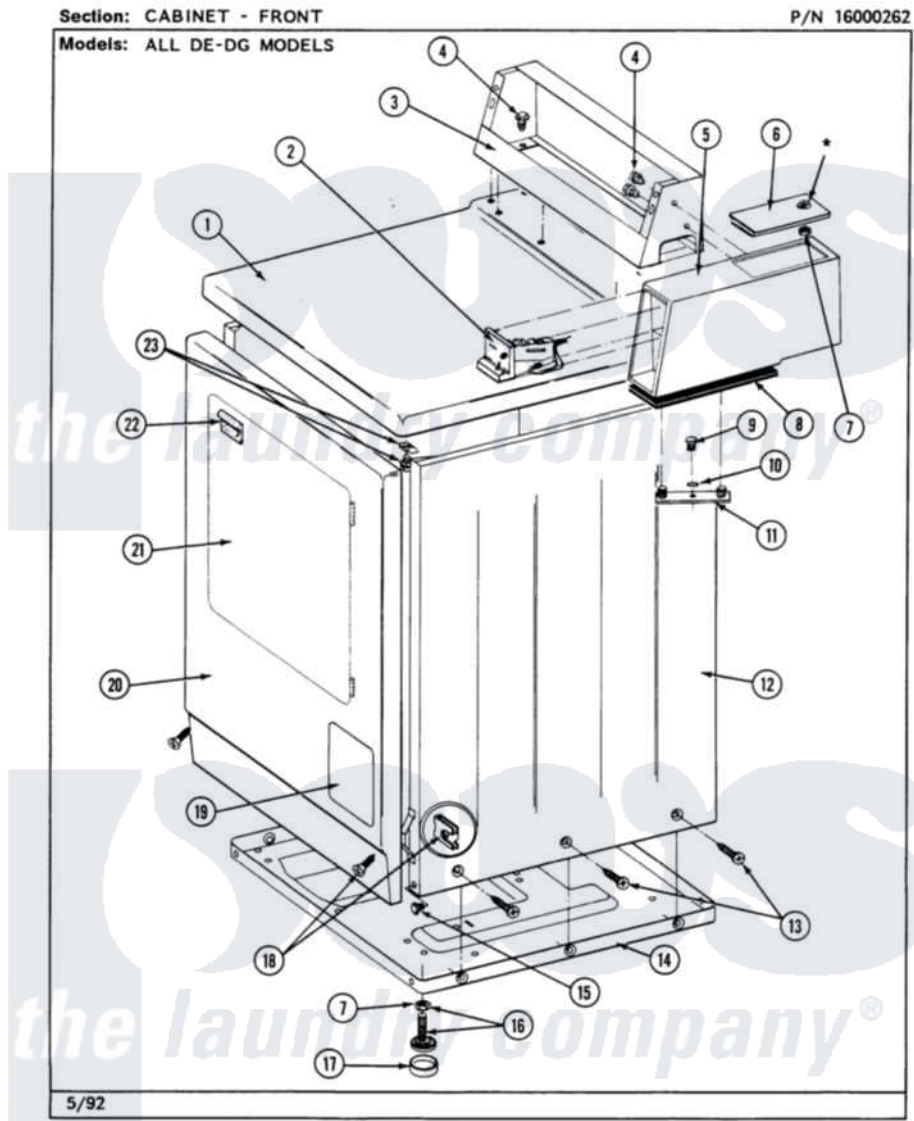


# Maytag MDE26DAACG 01 - CONTROL PANEL



6

Maytag [Commercial Maytag MDE26DAACG Dryer Parts](#) Parts Diagram 01 - CONTROL PANEL  
 Click on the part number to view part

| Item | Original Part Number    | Replaced By               | Status        | Part Description                        |
|------|-------------------------|---------------------------|---------------|-----------------------------------------|
| 001  | Y251119                 | <a href="#">3177991</a>   |               | Screw                                   |
| 002  | <a href="#">208048</a>  |                           |               | Relay, Heater Motor                     |
| "    | NLA                     |                           | Not Available | RELAY                                   |
| 003  | <a href="#">211294</a>  | <a href="#">90767</a>     |               | Screw, 8A X 3/8 HeX Washer Head Tapping |
| 004  | <a href="#">215003</a>  |                           |               | Fastener, Panel And Bracket             |
| 005  | 212276                  | <a href="#">W10116760</a> |               | Screw                                   |
| 006  | NLA                     |                           | Not Available | COVER, CIRCUIT BOARD                    |
| 007  | NLA                     |                           | Not Available | CONTROL BOARD ASSEMBLY                  |
| 008  | NLA                     |                           | Not Available | ENCLOSURE, CIRCUIT BOARD                |
| 009  | NLA                     |                           | Not Available | SWITCH, START                           |
| 010  | <a href="#">Y313588</a> | <a href="#">488234</a>    |               | Screw 8-32 X 1/4                        |
| 011  | <a href="#">312956</a>  |                           |               | Screw-Igniter And Clip Mount            |
| 012  | NLA                     |                           | Not Available | WINDOW, DATA                            |
| 013  | <a href="#">215564</a>  |                           |               | Lens, Indicator Light                   |

|     |                         |                           |                                            |
|-----|-------------------------|---------------------------|--------------------------------------------|
| 014 | <a href="#">215506</a>  |                           | Screw, Control Panel Overlay               |
| 015 | NLA                     | Not Available             | LENS, LIGHT GREEN                          |
| 016 | <a href="#">306938</a>  |                           | Knob, Selector Switch                      |
| 017 | NLA                     | Not Available             | PANEL, CONTROL                             |
| 018 | <a href="#">205810</a>  |                           | Wire, Ground                               |
| 019 | 204075                  | Not Available             | PILOT LAMP (DG MODELS ONLY)                |
| 020 | <a href="#">315343</a>  | <a href="#">31-5343</a>   | Parts Manual                               |
| "   | NLA                     | Not Available             | (ALM)                                      |
| 021 | 307237                  | <a href="#">W10327105</a> | Switch, Cycle Selection                    |
| 022 | NLA                     | Not Available             | TRANSFORMER                                |
| 023 | NLA                     | Not Available             | CONTROL COVER ASSY. (WHT)                  |
| 024 | 203188                  | Not Available             | TIMER ACCESS DOOR (WHT)                    |
| "   | 203188L                 | Not Available             | ACCESS DOOR-ALMOND                         |
| "   | 203188M                 | Not Available             | ACCESS DOOR-HARVEST WHEAT                  |
| 025 | 207940                  | <a href="#">22001407</a>  | Case, Coin Slide                           |
| "   | 207940L                 | <a href="#">22001408</a>  | (ALM)                                      |
| "   | NLA                     | Not Available             | (HVST WHEAT)                               |
| 026 | <a href="#">214660</a>  |                           | Gasket, Control Center                     |
| 027 | NLA                     | Not Available             | MTG. STRAP---NA                            |
| 028 | <a href="#">910309</a>  |                           | Washer, Mounting Strap                     |
| 029 | <a href="#">208045</a>  |                           | Harness, Wire Sensor Switch To Circuit Brd |
| "   | NLA                     | Not Available             | HARNESS,WIRE MAIN                          |
| "   | <a href="#">Y308580</a> |                           | Harness, Wire                              |

*the laundry company®*

*the laundry company®*