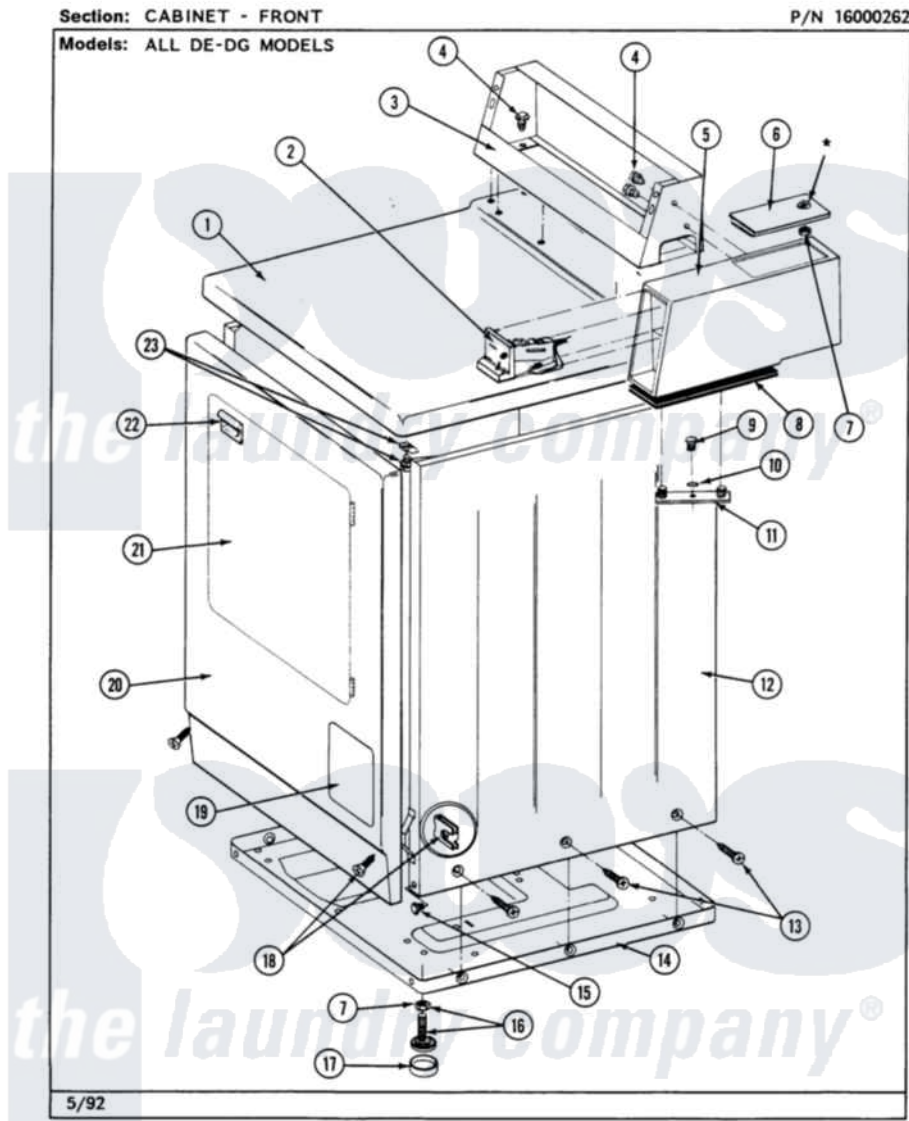


Maytag MDE26DAACW 01 - CONTROL PANEL



6

Maytag [Commercial Maytag MDE26DAACW Dryer Parts](#) Parts Diagram 01 - CONTROL PANEL
 Click on the part number to view part

| Item | Original Part Number | Replaced By | Status | Part Description |
|------|-------------------------|---------------------------|---------------|---|
| 001 | Y251119 | 3177991 | | Screw |
| 002 | 208048 | | | Relay, Heater Motor |
| " | NLA | | Not Available | RELAY |
| 003 | 211294 | 90767 | | Screw, 8A X 3/8 HeX Washer Head Tapping |
| 004 | 215003 | | | Fastener, Panel And Bracket |
| 005 | 212276 | W10116760 | | Screw |
| 006 | NLA | | Not Available | COVER, CIRCUIT BOARD |
| 007 | NLA | | Not Available | CONTROL BOARD ASSEMBLY |
| 008 | NLA | | Not Available | ENCLOSURE, CIRCUIT BOARD |
| 009 | NLA | | Not Available | SWITCH, START |
| 010 | Y313588 | 488234 | | Screw 8-32 X 1/4 |
| 011 | 312956 | | | Screw-Igniter And Clip Mount |
| 012 | NLA | | Not Available | WINDOW, DATA |
| 013 | 215564 | | | Lens, Indicator Light |

| | | | |
|-----|-------------------------|---------------------------|--|
| 014 | 215506 | | Screw, Control Panel Overlay |
| 015 | NLA | Not Available | LENS, LIGHT GREEN |
| 016 | 306938 | | Knob, Selector Switch |
| 017 | NLA | Not Available | PANEL, CONTROL |
| 018 | 205810 | | Wire, Ground |
| 019 | 204075 | Not Available | PILOT LAMP (DG MODELS ONLY) |
| 020 | 315343 | 31-5343 | Parts Manual |
| " | NLA | Not Available | (ALM) |
| 021 | 307237 | W10327105 | Switch, Cycle Selection |
| 022 | NLA | Not Available | TRANSFORMER |
| 023 | NLA | Not Available | CONTROL COVER ASSY. (WHT) |
| 024 | 203188 | Not Available | TIMER ACCESS DOOR (WHT) |
| " | 203188L | Not Available | ACCESS DOOR-ALMOND |
| " | 203188M | Not Available | ACCESS DOOR-HARVEST WHEAT |
| 025 | 207940 | 22001407 | Case, Coin Slide |
| " | 207940L | 22001408 | (ALM) |
| " | NLA | Not Available | (HVST WHEAT) |
| 026 | 214660 | | Gasket, Control Center |
| 027 | NLA | Not Available | MTG. STRAP---NA |
| 028 | 910309 | | Washer, Mounting Strap |
| 029 | 208045 | | Harness, Wire Sensor Switch To Circuit Brd |
| " | NLA | Not Available | HARNESS,WIRE MAIN |
| " | Y308580 | | Harness, Wire |

the laundry company®

the laundry company®