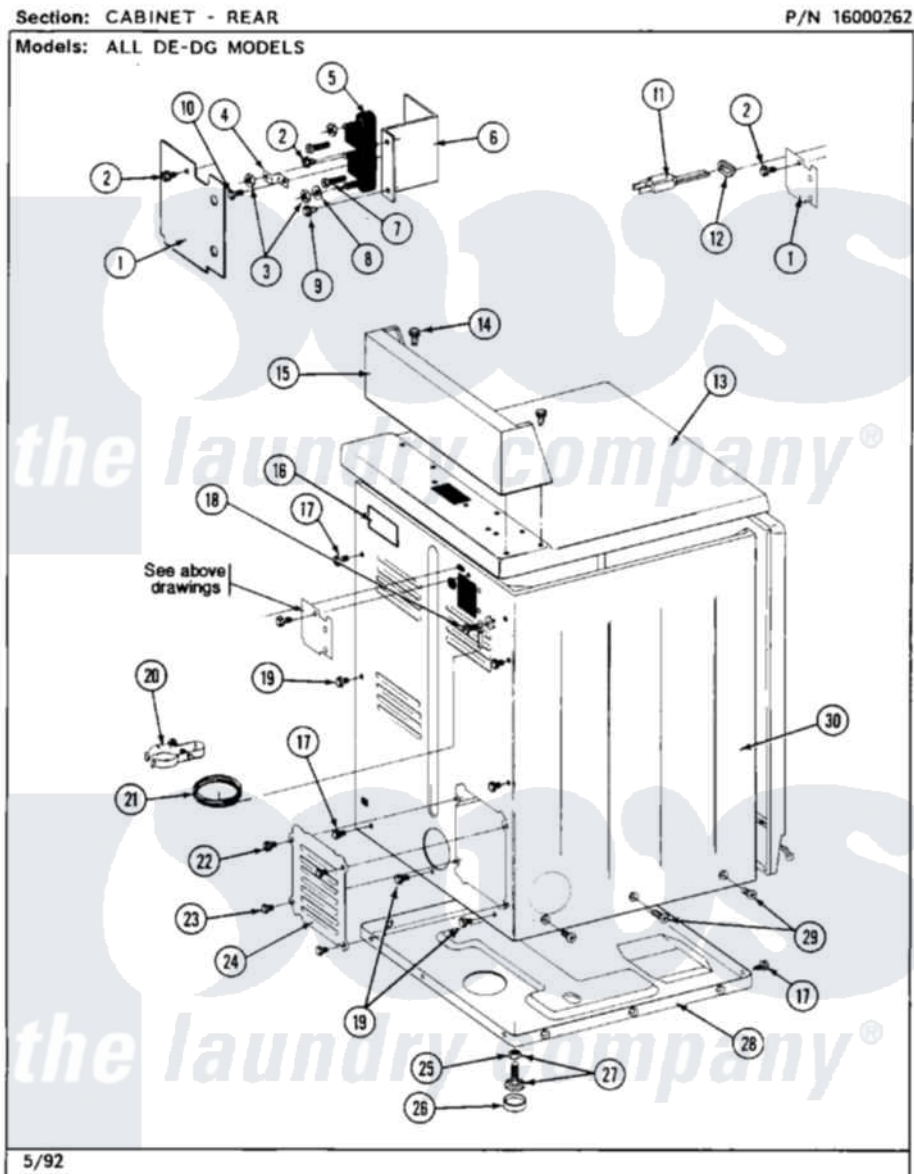


# Maytag MDE26DAADG 04 - CABINET-REAR



8

Maytag [Commercial Maytag MDE26DAADG Dryer Parts](#) Parts Diagram 04 - CABINET-REAR  
 Click on the part number to view part

Item	Original Part Number	Replaced By	Status	Part Description
001	Y312905		Not Available	COVER, TERMINAL
002	<a href="#">Y313561</a>			Screw----NA
003	<a href="#">311484</a>	<a href="#">112432</a>		Nut
004	<a href="#">Y312184</a>			Strap, Grounding
005	<a href="#">400008</a>			Block, Terminal
006	<a href="#">Y312904</a>			Bracket, Terminal Block
007	<a href="#">Y312209</a>	<a href="#">W10001200</a>		Screw
008	<a href="#">Y311270</a>			Washer, Terminal Block
009	Y310632	<a href="#">1163839</a>		Screw
010	Y311423	<a href="#">489483</a>		Screw 10-32 X 1/2
011	W10124350		Not Available	NOT REQUIRED PART OR SEE NOTE
012	W10124350		Not Available	NOT REQUIRED PART OR SEE NOTE
013	307105		Not Available	COVER, TOP ASSY. (WHT)
"	NLA		Not Available	(ALM)
014	212276	<a href="#">W10116760</a>		Screw

015	307105		Not Available	COVER, TOP ASSY. (WHT)
"	NLA		Not Available	(ALM)
016	<a href="#">214519</a>			LABEL, ELECTRICAL INSTR. PART NOT USED-GAS MODELS ONLY
017	<a href="#">Y313561</a>			Screw---NA
018	NLA		Not Available	SCREW & WASHER ASSY.
019	Y310632	<a href="#">1163839</a>		Screw
020	<a href="#">301548</a>			Clamp, Ground Wire
021	<a href="#">311155</a>			Ground Wire And Clamp
022	<a href="#">Y313559</a>			Screw
023	<a href="#">211294</a>	<a href="#">90767</a>		Screw, 8A X 3/8 HeX Washer Head Tapping
024	Y312951		Not Available	ACCESS COVER, BACK
025	<a href="#">Y052740</a>	<a href="#">62739</a>		Nut, Lock
026	<a href="#">Y314137</a>			Foot, Rubber
027	<a href="#">Y305086</a>			Adjustable Leg And Nut
028	Y303361		Not Available	BASE ASSY. (UPPER & LOWER)
029	<a href="#">213007</a>			Xfor Cabinet See Cabinet, Back
030	NLA		Not Available	CABINET (WHT)

