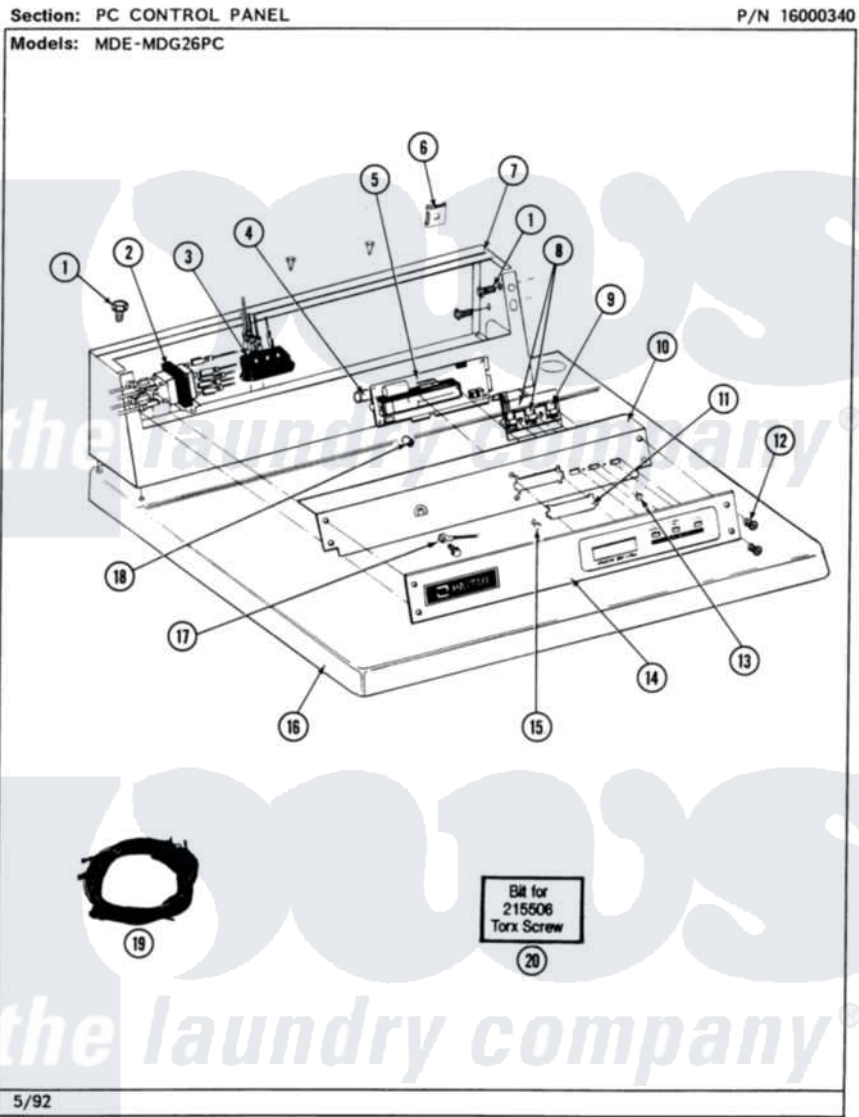


Maytag MDE26PCADW 03 - PC CONTROL PANEL



12

Maytag Commercial Maytag MDE26PCADW Dryer Parts Parts Diagram 03 - PC CONTROL PANEL
 Click on the part number to view part

| Item | Original Part Number | Replaced By | Status | Part Description |
|------|------------------------|---------------------------|---------------|---|
| 001 | 212276 | W10116760 | | Screw |
| 002 | 207766 | | | Transformer |
| " | 211294 | 90767 | | Screw, 8A X 3/8 HeX Washer Head Tapping |
| 003 | 206824 | W10133335 | | Relay, Motor |
| " | 211294 | 90767 | | Screw, 8A X 3/8 HeX Washer Head Tapping |
| 004 | 206828 | | | Battery |
| 005 | 215510 | | Not Available | SUPPORT, PC BOARD |
| " | NLA | | Not Available | CIRCUIT BOARD ASSY |
| 006 | 215003 | | | Fastener, Panel And Bracket |
| 007 | 212276 | W10116760 | | Screw |
| " | NLA | | Not Available | CONTROL COVER (WHT) |
| 008 | 306694 | | | Backup Plate With Switch |
| 009 | 215517 | W10131113 | | Push Button |
| 010 | NLA | | Not Available | BACK UP PLATE (WHT) |
| 011 | 215515 | | Not Available | COVER, DISPLAY |

| | | | |
|-----|-------------------------|---------------------------|---------------------------------------|
| 012 | 215506 | | Screw, Control Panel Overlay |
| 013 | 215527 | W10140652 | Screw, 6-20 X 1/2 |
| 014 | NLA | | Not Available CONTROL PANEL |
| 015 | 215526 | | Screw, Circuit Board |
| 016 | 307105 | | Not Available COVER, TOP ASSY. (WHT) |
| " | NLA | | Not Available (ALM) |
| 017 | 205810 | | Wire, Ground |
| " | 211252 | | Screw, Ground Wire |
| 018 | Y215513 | | Standoff, Circuit Board |
| 019 | NLA | | Not Available WIRE HARNESS |
| " | Y307455 | | Wire Harness |
| 020 | Y038227 | | Not Available TORX BIT (215506 SCREW) |

the laundry company[®]

the laundry company[®]

the laundry company[®]