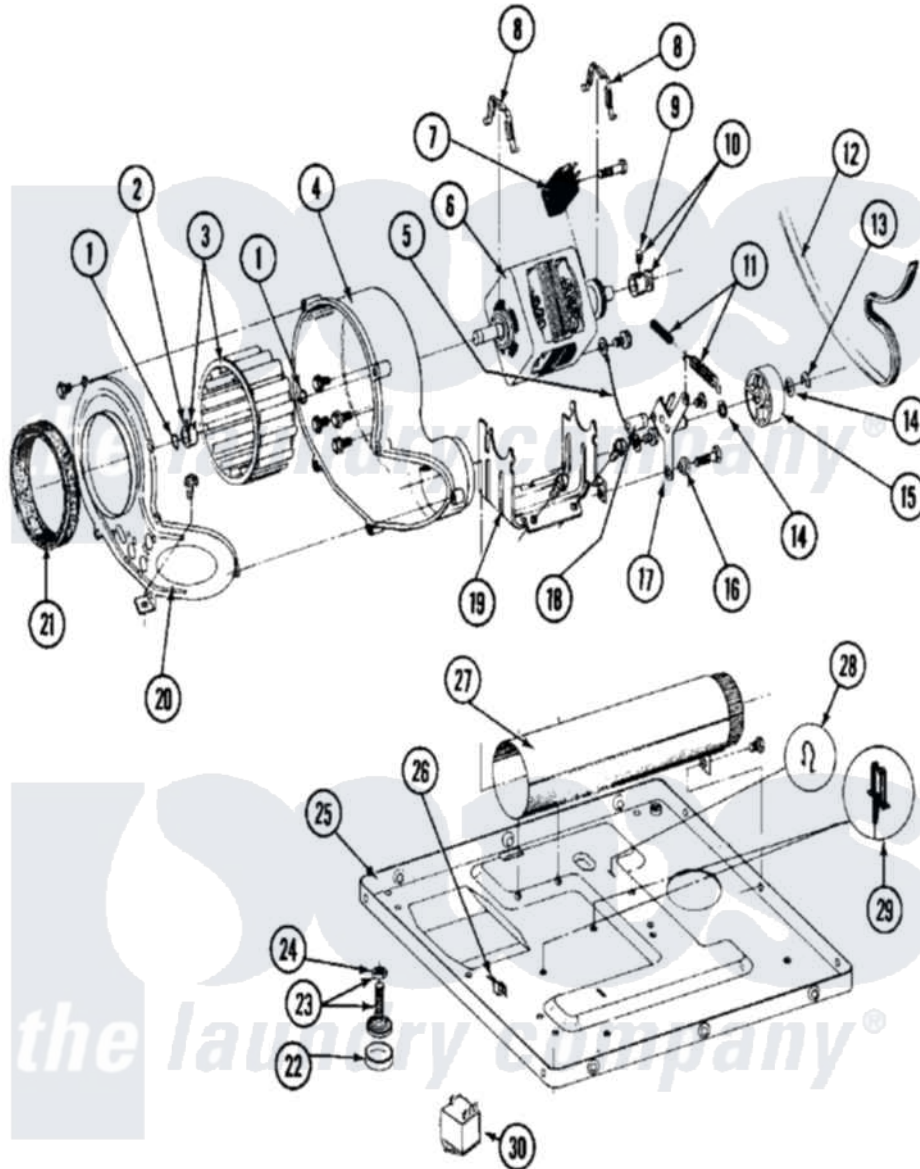


# Maytag MDE27CSADW 10 - MOTOR, BLOWER & BASE FRAME



Maytag Commercial Maytag MDE27CSADW Dryer Parts Parts Diagram 10 - MOTOR, BLOWER & BASE FRAME  
 Click on the part number to view part

| Item | Original Part Number    | Replaced By               | Status        | Part Description  |
|------|-------------------------|---------------------------|---------------|---|
| 001  | 410233                  | <a href="#">9703438</a>   |               | Ring-Retrn  |
| 002  | <a href="#">312967</a>  |                           |               | Clamp, Blower Housing   |
| 003  | <a href="#">Y303836</a> |                           |               | Blower Wheel Assembly And Clamp                                 |
| 004  | <a href="#">Y312893</a> |                           |               | Housing, Blower   |
| 005  | <a href="#">901220</a>  |                           |               | Ground Wire   |
| "    | 910343                  | <a href="#">488234</a>    |               | Screw 8-32 X 1/4  |
| 006  | <a href="#">Y303358</a> | <a href="#">W10410999</a> |               | Motor-Drve  |
| 007  | 306207                  |                           | Not Available | (PROD. No.303358-8 & No.303358-9)                               |
| "    | NLA                     |                           | Not Available | SWITCH, MOTOR START-PROD.                                       |
| "    | Y303877                 |                           | Not Available | SWITCH, MOTOR EXTERNAL START No.303358-2, No.303358-4, 303358-7 |
| "    | <a href="#">Y303879</a> |                           |               | Switch, Motor External Start                                    |
| 008  | <a href="#">Y015825</a> |                           |               | Clip, Motor To Motor Support                                    |
| 009  | <a href="#">Y053241</a> |                           |               | Set Screw, Motor Pulley   |

|     |                         |                           |               |                               |
|-----|-------------------------|---------------------------|---------------|-------------------------------|
| 010 | Y305185                 | <a href="#">6-3051850</a> |               | Pulley- MO                    |
| 011 | <a href="#">Y303945</a> |                           |               | IDLER SPRING ASSY.<br>W/PLUG  |
| 012 | <a href="#">Y312959</a> |                           |               | Poly "V" Belt For Tumbler     |
| 013 | <a href="#">312958</a>  | <a href="#">354987</a>    |               | Ring, Retaining               |
| 014 | <a href="#">Y312527</a> |                           |               | Washer, Idler Shaft           |
| 015 | Y303705                 | <a href="#">6-3037050</a> |               | Pulley- ID                    |
| 016 | Y312894                 | <a href="#">315772</a>    |               | Sleeve, Idler Arm             |
| 017 | <a href="#">Y014874</a> |                           |               | Screw, Idler Arm And Sleeve   |
| "   | Y303363                 | <a href="#">6-3033630</a> |               | Idler Arm                     |
| "   | Y312961                 | <a href="#">W10116751</a> |               | Screw                         |
| 018 | Y313582                 | <a href="#">W10116756</a> |               | Spacer                        |
| 019 | <a href="#">Y313561</a> |                           |               | Screw----NA                   |
| "   | NLA                     |                           | Not Available | MOTOR SUPPORT                 |
| 020 | <a href="#">Y313561</a> |                           |               | Screw----NA                   |
| "   | <a href="#">314847</a>  |                           |               | COVER, BLOWER HOUSING         |
| 021 | <a href="#">Y312901</a> |                           |               | Seal, Housing Cover           |
| 022 | <a href="#">210684</a>  |                           |               | Foot, Adjustable Leg          |
| 023 | Y302699                 | <a href="#">22003428</a>  |               | Leg, Adjustable               |
| 024 | <a href="#">210385</a>  |                           |               | Lock Nut For Adjustable Leg   |
| 025 | Y303361                 |                           | Not Available | BASE ASSY. (UPPER &<br>LOWER) |
| 026 | <a href="#">Y310376</a> |                           |               | Clip, Door Switch Harness     |
| 027 | <a href="#">Y303442</a> |                           |               | EXHAUST DUCT ASSEMBLY         |
| 028 | <a href="#">410490</a>  |                           |               | Spring, Retainer Wire Harness |
| 029 | Y313262                 | <a href="#">W10116752</a> |               | Retainer-                     |

*the laundry company*<sup>®</sup>

*the laundry company*<sup>®</sup>