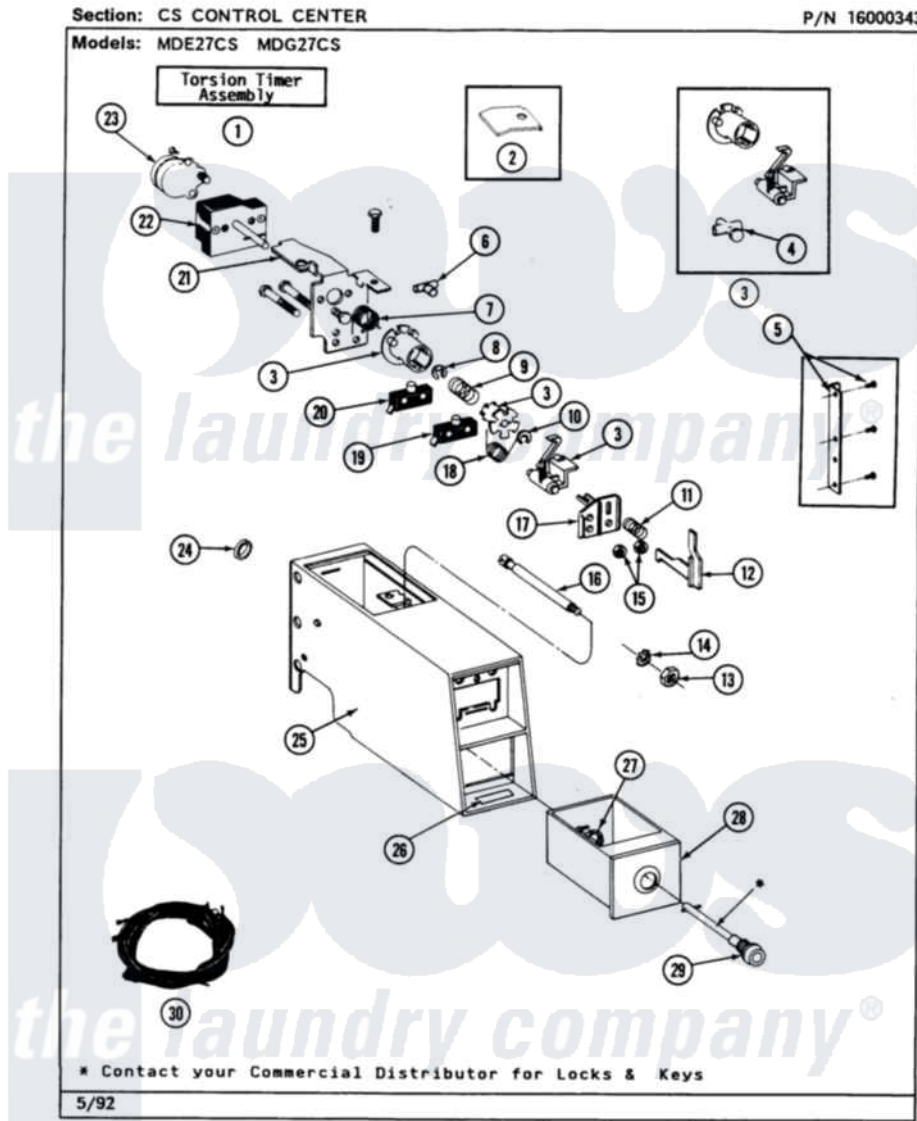


Maytag MDE27CSAGW 04 - CONTROL CENTER



Maytag [Commercial Maytag MDE27CSAGW Dryer Parts](#) Parts Diagram 04 - CONTROL CENTER
 Click on the part number to view part

Item	Original Part Number	Replaced By	Status	Part Description
001	305797			Torsion Timer Assembly Complete
002	NLA		Not Available	STOP FOR TIMER MECHANISM
003	306104			Actuator Switch Kit
004	314547	Y308109		Slide And Adj. Return Bracket
005	NLA		Not Available	COIN METER STOP
"	Y014872			Screw, Coin Meter Stop -
006	314335			Peg, Tine Adjustment
007	314331			Spring, Torsion Return
008	Y312270			Clip, Spring Retainer
009	211065			Spring, Index Wheel
010	211790			Lock Ring For Timer Shaft
011	NLA		Not Available	HELICAL SPRING ---N
012	314337	33002968		Slider
013	Y052721			Nut, Terminal Block Plate
014	910387			Lockwasher, Vault Assembly

015	Y052634	701719	Nut, Hex
016	215559		Bolt, Coin Slide Locking
"	NLA	Not Available	LOCKING BOLT
017	314339		Switch And Slider Bracket
018	314332		Spring, Actuator
019	305798	Not Available	BYPASS SWITCH FOR MOTOR
020	Y305799		Bypass Switch For Heater
021	314333		Timer Mounting Bracket
"	315277		Screw
"	910708	488234	Screw 8-32 X 1/4
"	NLA	Not Available	INSTRUCTION LABEL
022	305800		Wire Harness For Timer
"	305812		Timer
023	305870		Timer Motor
024	Y313671	33001303	Grommet, Plate Hole
025	Y307081		Coin Meter Weld Assembly
026	Y313439	Not Available	INSTRUCTION LABEL
027	212328	W10139762	Hex Nut, 3/4-27
028	205423	208883	Coin Box K
029	NLA	Not Available	SPRING WASHER, LOCK
030	NLA	Not Available	WIRE HARNESS-UPPER

