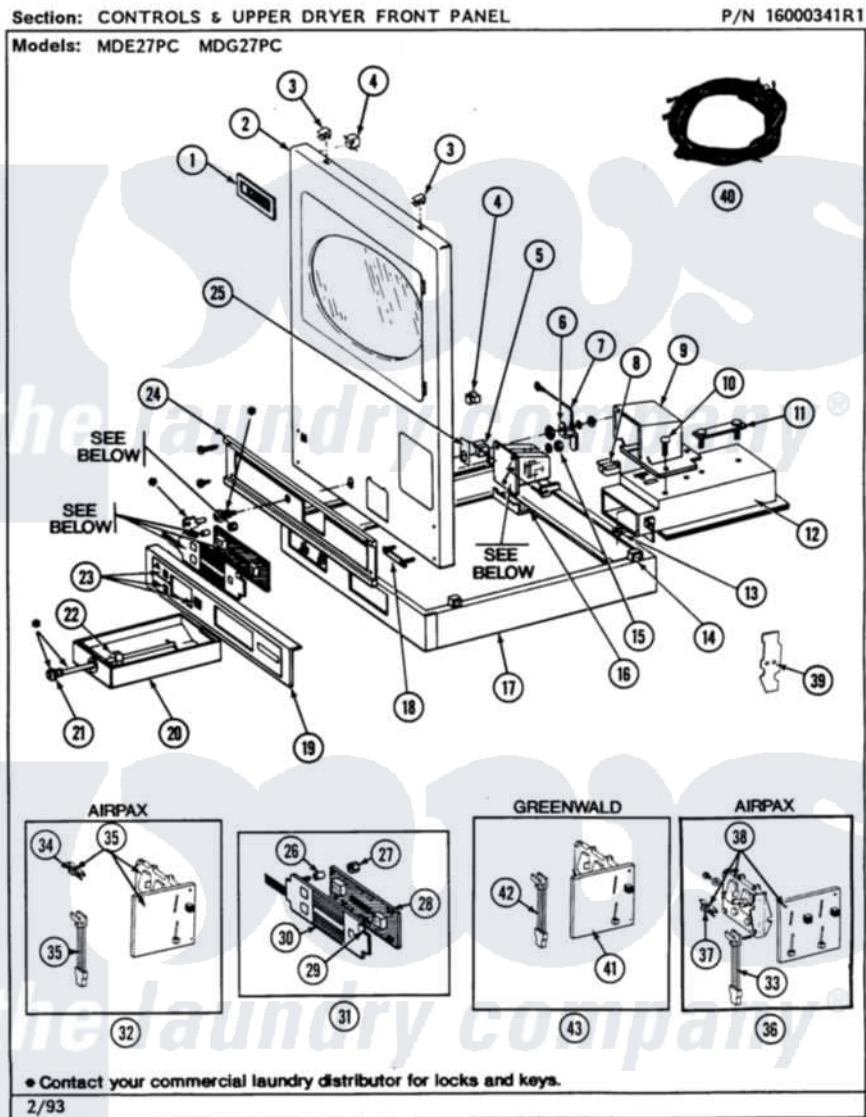


Maytag MDE27PCADW 04 - CONTROLS & UPPER DRYER FRONT PANEL



10

Maytag Commercial Maytag MDE27PCADW Dryer Parts Parts Diagram 04 - CONTROLS & UPPER DRYER FRONT PANEL

Click on the part number to view part

Item	Original Part Number	Replaced By	Status	Part Description
001	NLA		Not Available	NAME PLATE
002	NLA		Not Available	FRONT PANEL - UPPER (WHITE)
003	212982	22001650		Fastener, Spring
004	Y310376			Clip, Door Switch Harness
005	211168	W10139210		Screw, 8-18 X 5/16
"	314979		Not Available	SHIELD, ACCESS SWITCH
"	912012	3400409		Screw
"	Y306232			Switch, Access
006	314625	206637		Lock Kit
007	Y306712	Y303981		Ground Wire For Latch
008	314635			Chute, Coin
009	NLA		Not Available	COIN DROP ASSEMBLY---NA
010	314654			Bolt, Coin Drop Cover
011	NLA		Not Available	MTG. STRAP---NA

012	910387		Lockwasher, Vault Assembly
"	NLA	Not Available	VAULT ASSY. (WHITE)
013	Y052740	62739	Nut, Lock
014	310933	33002194	Nut, Speed
015	Y052655		Hex Nut, No.8-32
016	Y313561		Screw---NA
"	314631		Bracket, Coin Mechanism
"	Y310632	1163839	Screw
017	NLA	Not Available	COUPLING COLLAR-WHITE
018	306233	Not Available	STRAP, COIN ACCEPTOR
019	NLA	Not Available	LOWER PANEL---NA
020	306219	308143	Tray, Coin
"	NLA	Not Available	(ALMOND)
021	NLA	Not Available	WASHER, SPRING
022	214104		Reinforcing Nut For Coin BO
023	314618		Lens
024	314664	212277	Screw, No.8 X 1/2 Inch
"	314666	Not Available	SCREW, PANEL (UPR)
"	NLA	Not Available	UPPER CONTROL EXTRUSION
025	314634		Bracket, Access Switch
026	912075		Spacer, Circuit Board
027	912077		Locknut, Reader Harness
028	NLA	Not Available	CONTROL BOARD ASSEMBLY
029	912086		Clip, Speed
030	306443		Touch Pad Assembly
"	910186	99002757	Screw
031	NLA	Not Available	CONTROL & TOUCH PAD ASSY.
032	NLA	Not Available	COIN REJECTOR ASSY
033	314665		Screw, Switch Assembly
"	Y306224	Not Available	COIN SENSOR SWITCH
034	NLA	Not Available	BALANCE ARM W/WEIGHT (\$.25)
035	NLA	Not Available	REJECTOR ASSY. (.25)
036	NLA	Not Available	COIN REJECTOR ASSY. (.10)
037	314713		Balance Arm W/Weight-\$.10
038	Y307401	Not Available	REJECTOR ASSY (10 CTS-CANADA)
039	314710	Not Available	COIN SLOT COVER (ACCESS)
040	306238	Not Available	(12 CIRCUITS FOR DE & DG
"	306239	Not Available	(14 CIRCUITS FOR DE & DG
"	314652		Tapered Beam Contact Usage Varies Between Harnesses
"	NLA	Not Available	WIRE HARNESS-LOWER
"	NLA	Not Available	EDGE BOARD CONNECTOR
041	Y308123		Rejector Assembly
042	314665		Screw, Switch Assembly
"	Y306224	Not Available	COIN SENSOR SWITCH
043	Y308124	Not Available	COIN REJECTOR ASSY. (.25)