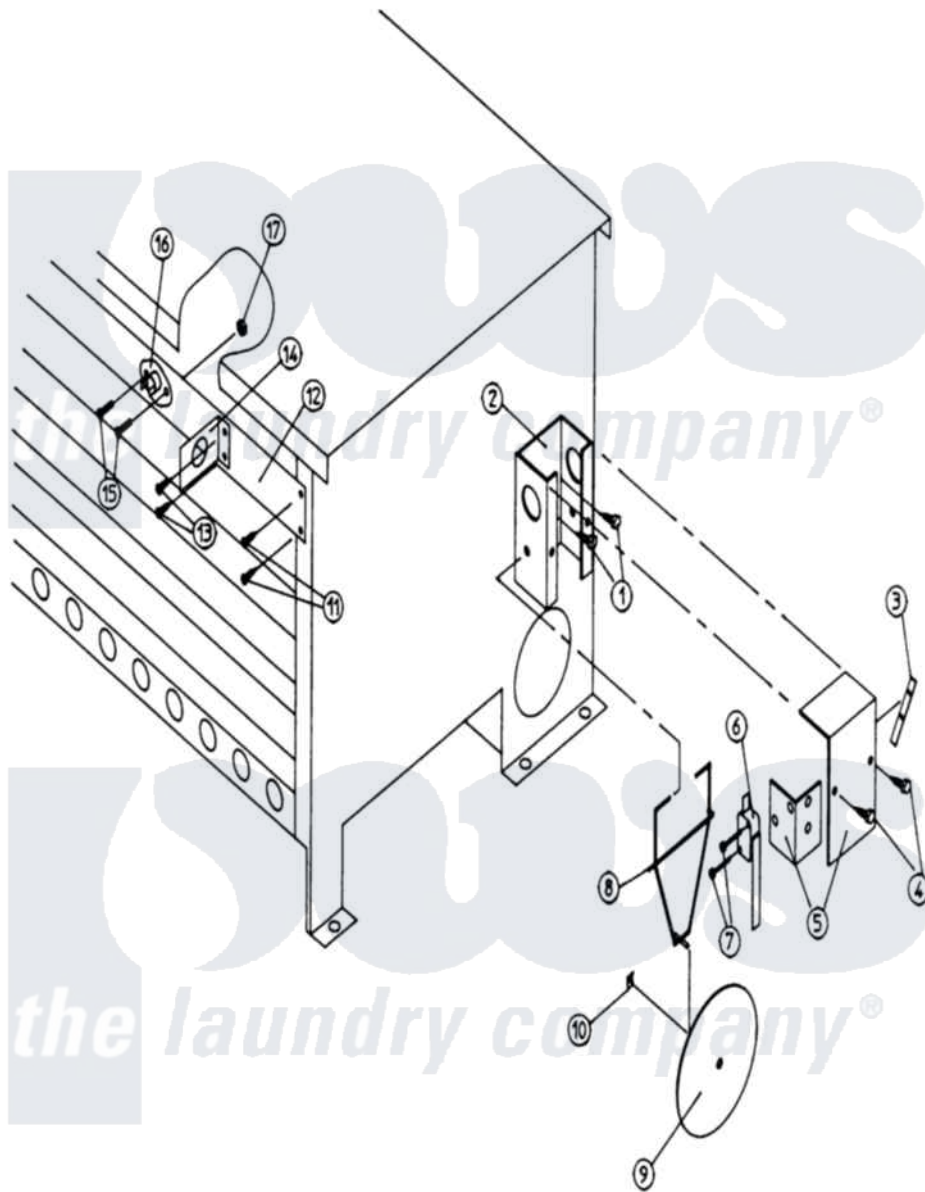


# Maytag MDG100PN1 13 - SAIL SWITCH BURNER HI-LIMIT



Maytag [Commercial Maytag MDG100PN1 Dryer Parts](#) Parts Diagram 13 - SAIL SWITCH BURNER HI-LIMIT  
 Click on the part number to view part

| Item | Original Part Number | Replaced By                | Status        | Part Description  |
|------|----------------------|----------------------------|---------------|---|
| 000  | W10124350            |                            | Not Available | ORDER PARTS FROM AMERICAN DRYER CORP AT 508-678-9000        |
| 001  | A150300              | <a href="#">5307527001</a> |               | Switch  |
| 002  | A802800              | <a href="#">802800</a>     |               | Sail Switch   |
| "    | A802801              | <a href="#">802801</a>     |               | Sail Switch   |
| 003  | A154004              | <a href="#">154004</a>     |               | Tinnerman   |
| 004  | A150415              |                            | Not Available | SCREW, CRIMPTITE (PH. RD.HD.) (No.10-16 X 1/2` PH. RD. HD.) |
| 005  | A802799              | <a href="#">802799</a>     |               | Sail Sw.bo  |
| 006  | A122200              | <a href="#">122200</a>     |               | Sail Switch   |
| 007  | A150303              | <a href="#">150303</a>     |               | 4 X 3 4 P   |
| 008  | A105500              | <a href="#">W10146641</a>  |               | Std Sail S  |
| 009  | A319202              | <a href="#">W10146866</a>  |               | Sail Switch   |
| 010  | A154002              | <a href="#">154002</a>     |               | 1 8 Push O  |
| 011  | A150300              | <a href="#">5307527001</a> |               | Switch  |
| 012  | A319702              | <a href="#">319702</a>     |               | 100 Hi LI   |

|     |                         |                            |                            |
|-----|-------------------------|----------------------------|----------------------------|
| 013 | A150300                 | <a href="#">5307527001</a> | Switch                     |
| 014 | A319703                 | <a href="#">319703</a>     | 100 120 Hi                 |
| 015 | A150001                 | <a href="#">150001</a>     | 6-32 X 1 2                 |
| 016 | <a href="#">A130401</a> |                            | HI-LIMIT (ONLY) (330 DEG.) |
| 017 | A151000                 | <a href="#">WH12X195</a>   | Switch Assembly            |

