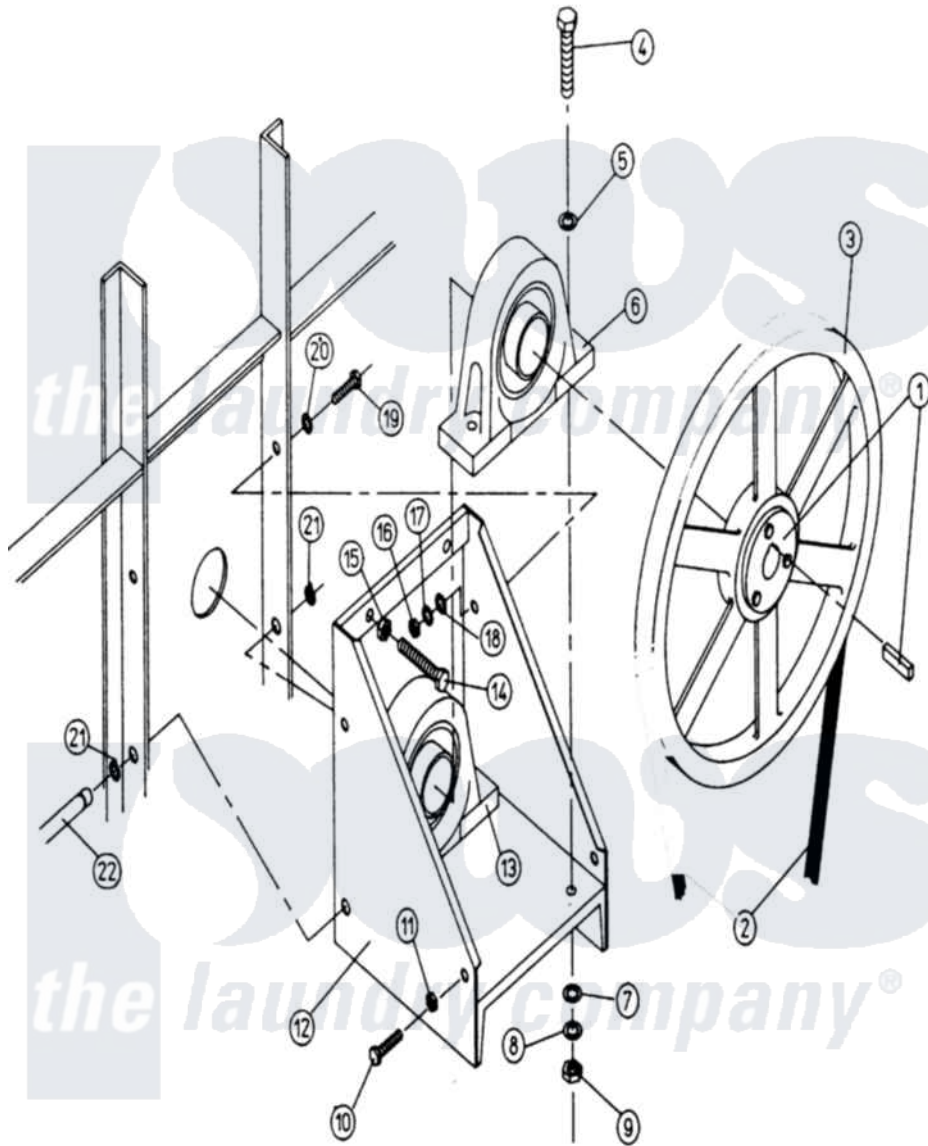


Maytag MDG100PN1L 09 - TUMBLER BEARING MOUNT ASSEMBLY



Maytag [Commercial Maytag MDG100PN1L Dryer Parts](#) Parts Diagram 09 - TUMBLER BEARING MOUNT ASSEMBLY
 Click on the part number to view part

Item	Original Part Number	Replaced By	Status	Part Description
000	W10124350		Not Available	ORDER PARTS FORM AMERICAN DRYER CORP AT 508-678-9000.
001	A101108	101108		Sk X 2 1 4
002	A100104	W10146551		A68 V Belt
003	A101111	101111		18 Pulley
004	A150602	150602		5 8-11 X 3
005	A153016	153016		5 8 Flat
006	A100204		Not Available	BEARING, PILLOW BLOCK
007	A153016	153016		5 8 Flat
008	A153015	153015		5 8 Split
009	A152010	152010		5 8-11 Hex
010	A150600	150600		3 8-16 X 1
011	A152005	152005		3 8-16 Hex
012	A801102	W10147076		100 120 be
013	A100204		Not Available	BEARING, PILLOW BLOCK
014	A150603		Not Available	BOLT, MACHINE (SQ.HD.)

014

A150003

Not Available

(1/2-13 X 3" SQ. HD.)

015

A152011

[152011](#)

1 2-13 Hex

016

A152005

[152005](#)

3 8-16 Hex

017

A153005

[153005](#)

3 8 Split

018

A153004

[153004](#)

3 8 X 1

019

A150600

[150600](#)

3 8-16 X 1

020

A153004

[153004](#)

3 8 X 1

021

A100801

[100801](#)

5 8 External

022

A301810

[W10146784](#)

Ad-100 120

