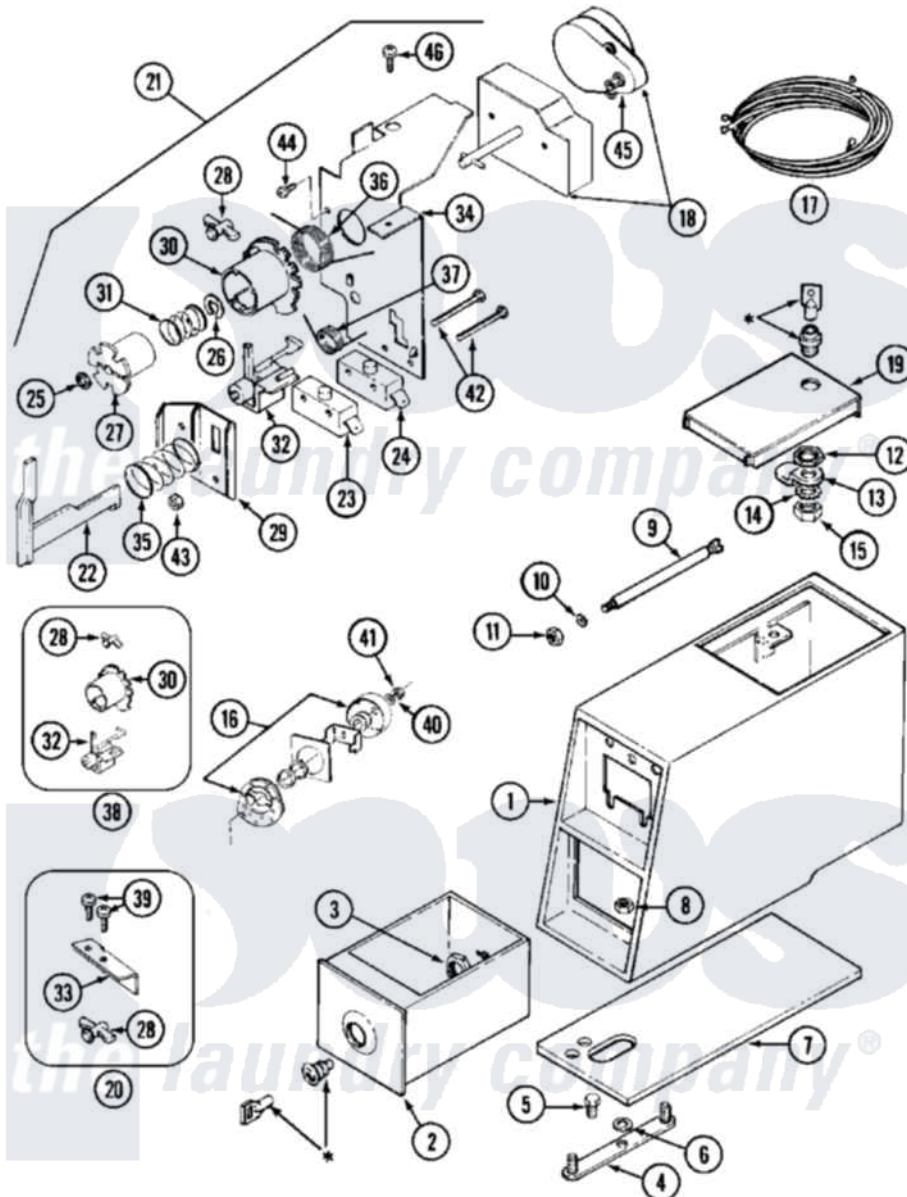


Maytag MDG10CSAKL 02 - CONTROL CENTER



* CONTACT YOUR COMMERCIAL LAUNDRY DISTRIBUTOR

Maytag [Commercial Maytag MDG10CSAKL Dryer Parts](#) Parts Diagram 02 - CONTROL CENTER
 Click on the part number to view part

Item	Original Part Number	Replaced By	Status	Part Description
001	206952L	22001405		Case, Coin Slide
002	NLA		Not Available	VAULT, COIN (ALM)
003	212328	W10139762		Hex Nut, 3/4-27
004	NLA		Not Available	STRAP, MOUNTING
005	211294	90767		Screw, 8A X 3/8 HeX Washer Head Tapping
006	910309			Washer, Mounting Strap
007	214660			Gasket, Control Center
008	Y052740	62739		Nut, Lock
009	215559			Bolt, Coin Slide Locking
010	910387			Lockwasher, Vault Assembly
011	Y052721			Nut, Terminal Block Plate
012	212328	W10139762		Hex Nut, 3/4-27
013	213750	W10133266		Cam-Lock
014	22001354	W10177242		Hex-Nut 9/32 - 28
015	22001355			Nut, Lock Cam
016	216203			Lockwasher, Double "D"

"	NLA		Not Available	LOCK CAM ASSEMBLY
017	33001195			Wire Harness, Timer
018	33001155	33002115		Timer
"	33001274	33002136		Timer
019	204216L			Door, Access
020	Y308109			Slide And Adj. Return Bracket
021	33001483			Timer Torsion Assembly
022	314337	33002968		Slider
023	305798		Not Available	BYPASS SWITCH FOR MOTOR
024	Y305799			Bypass Switch For Heater
025	211790			Lock Ring For Timer Shaft
026	Y312270			Clip, Spring Retainer
027	314330		Not Available	DRIVER FOR INDEX WHEEL (NOT INCLUDED W/KIT)
028	314335			Peg, Tine Adjustment
"	314547	Y308109		Slide And Adj. Return Bracket
029	314339			Switch And Slider Bracket
030	314546			Wheel, Index
031	211065			Spring, Index Wheel
032	314548	33002967		Actuator, Switch
033	314334			Bracket For Coin Slide
034	33001207	33002702		Timer Bracket
035	NLA		Not Available	SPRING, HELICAL
036	314331			Spring, Torsion Return
037	314332			Spring, Actuator
038	306104			Actuator Switch Kit
039	212707	3196385		Screw
040	22001354	W10177242		Hex-Nut 9/32 - 28
041	22001355			Nut, Lock Cam
042	315277			Screw
043	Y052634	701719		Nut, Hex
044	910708	488234		Screw 8-32 X 1/4
045	306527	305812		Timer
"	Y308991			Motor, Timer
046	211168	W10139210		Screw, 8-18 X 5/16

