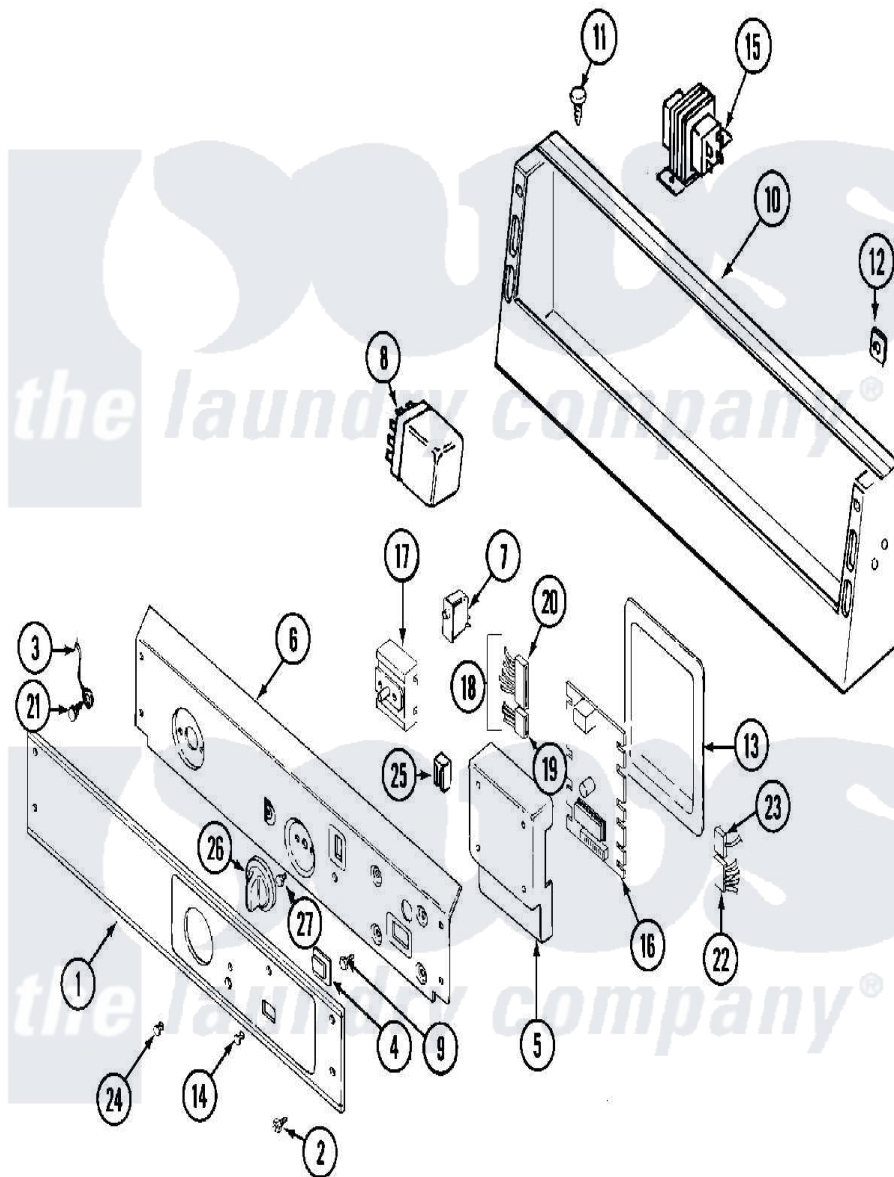


Maytag MDG10DAABL 01 - CONTROL PANEL



Maytag [Commercial Maytag MDG10DAABL Dryer Parts](#) Parts Diagram 01 - CONTROL PANEL
 Click on the part number to view part

Item	Original Part Number	Replaced By	Status	Part Description
001	NLA		Not Available	PANEL, CONTROL
002	215506			Screw, Control Panel Overlay
003	205810			Wire, Ground
004	NLA		Not Available	WINDOW, DATA ACQUISITION
005	NLA		Not Available	ENCLOSURE, CIRCUIT BOARD
006	315343	31-5343		Parts Manual
"	NLA		Not Available	(ALM)
007	NLA		Not Available	SWITCH, START
008	NLA		Not Available	RELAY, DPST
"	Y251119	3177991		Screw
009	312956			Screw-Igniter And Clip Mount
010	NLA		Not Available	CONTROL (WHT)
011	212276	W10116760		Screw
012	215003			Fastener, Panel And Bracket
013	NLA		Not Available	COVER, ENCLOSURE

014	NLA		Not Available	LENS, INDICATOR (GRN)
015	211294	90767		Screw, 8A X 3/8 HeX Washer Head Tapping
"	NLA		Not Available	TRANSFORMER
016	NLA		Not Available	BOARD, DATA ACQUISITION
017	307237	W10327105		Switch, Cycle Selection
018	NLA		Not Available	HARNES, WIRE MAIN
019	314529			Connector, Edgeboard
020	NLA		Not Available	CONNECTOR, EDGEBOARD
021	211252			Screw, Ground Wire
022	206799			Optic Switch Assembly
"	NLA		Not Available	CONNECTOR, EDGEBOARD--NA
023	208045			Harness, Wire Sensor Switch To Circuit Brd
"	22001361			Connector, Edgeboard
024	215564			Lens, Indicator Light
025	204075		Not Available	PILOT LAMP (DG MODELS ONLY)
026	306938			Knob, Selector Switch
027	Y313588	488234		Screw 8-32 X 1/4

