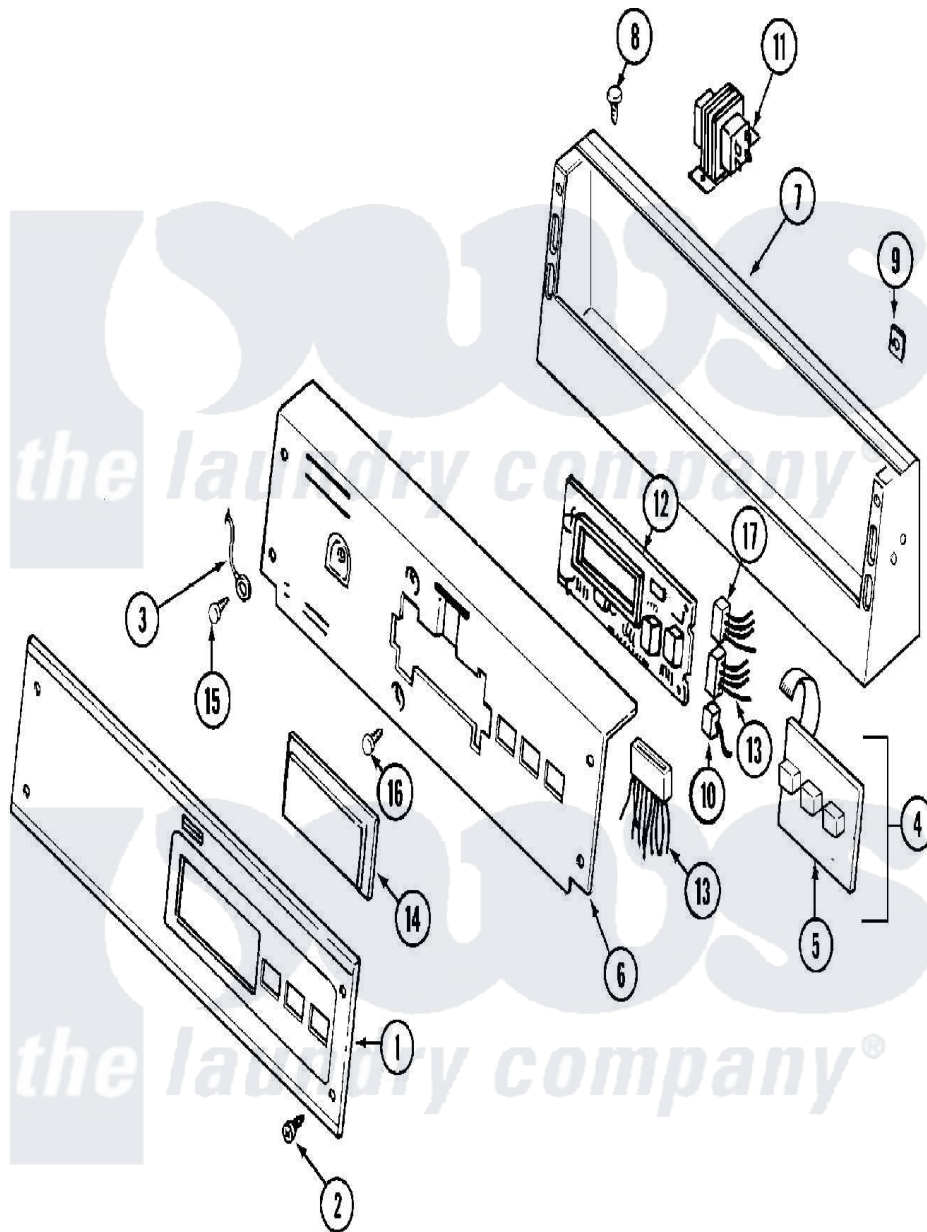


# Maytag MDG10PSAGW 01 - CONTROL PANEL



Maytag [Commercial Maytag MDG10PSAGW Dryer Parts](#) Parts Diagram 01 - CONTROL PANEL  
 Click on the part number to view part

Item	Original Part Number	Replaced By	Status	Part Description
001	<a href="#">33001020</a>			Panel, Control
002	<a href="#">215506</a>			Screw, Control Panel Overlay
003	<a href="#">205810</a>			Wire, Ground
004	215527	<a href="#">W10140652</a>		Screw, 6-20 X 1/2
"	<a href="#">306694</a>			Backup Plate With Switch
005	215517	<a href="#">W10131113</a>		Push Button
006	NLA		Not Available	PLATE, BACKUP (WHT)
007	NLA		Not Available	CONSOLE (WHT)
008	212276	<a href="#">W10116760</a>		Screw
009	<a href="#">215003</a>			Fastener, Panel And Bracket
010	<a href="#">208045</a>			Harness, Wire Sensor Switch To Circuit Brd
"	<a href="#">22001361</a>			Connector, Edgeboard
011	<a href="#">207766</a>			Transformer
"	<a href="#">211294</a>	<a href="#">90767</a>		Screw, 8A X 3/8 HeX Washer Head Tapping
012	<a href="#">33001249</a>			Battery, Control Board

"	<a href="#">912077</a>		Locknut, Reader Harness
"	NLA	Not Available	BOARD, CONTROL
"	NLA	Not Available	SUPPORT, BATTERY
"	<a href="#">Y215513</a>		Standoff, Circuit Board
013	<a href="#">314531</a>		Connector, Edgeboard
"	<a href="#">33001283</a>		Wire Harness, Main
"	<a href="#">33001428</a>		Wire Harness, Main
014	<a href="#">33001208</a>		Cover, Display
015	<a href="#">211252</a>		Screw, Ground Wire
016	<a href="#">215526</a>		Screw, Circuit Board
017	<a href="#">206799</a>		Optic Switch Assembly
"	NLA	Not Available	CONNECTOR, EDGEBOARD- --NA

*the laundry company*<sup>®</sup>

*the laundry company*<sup>®</sup>

*the laundry company*<sup>®</sup>