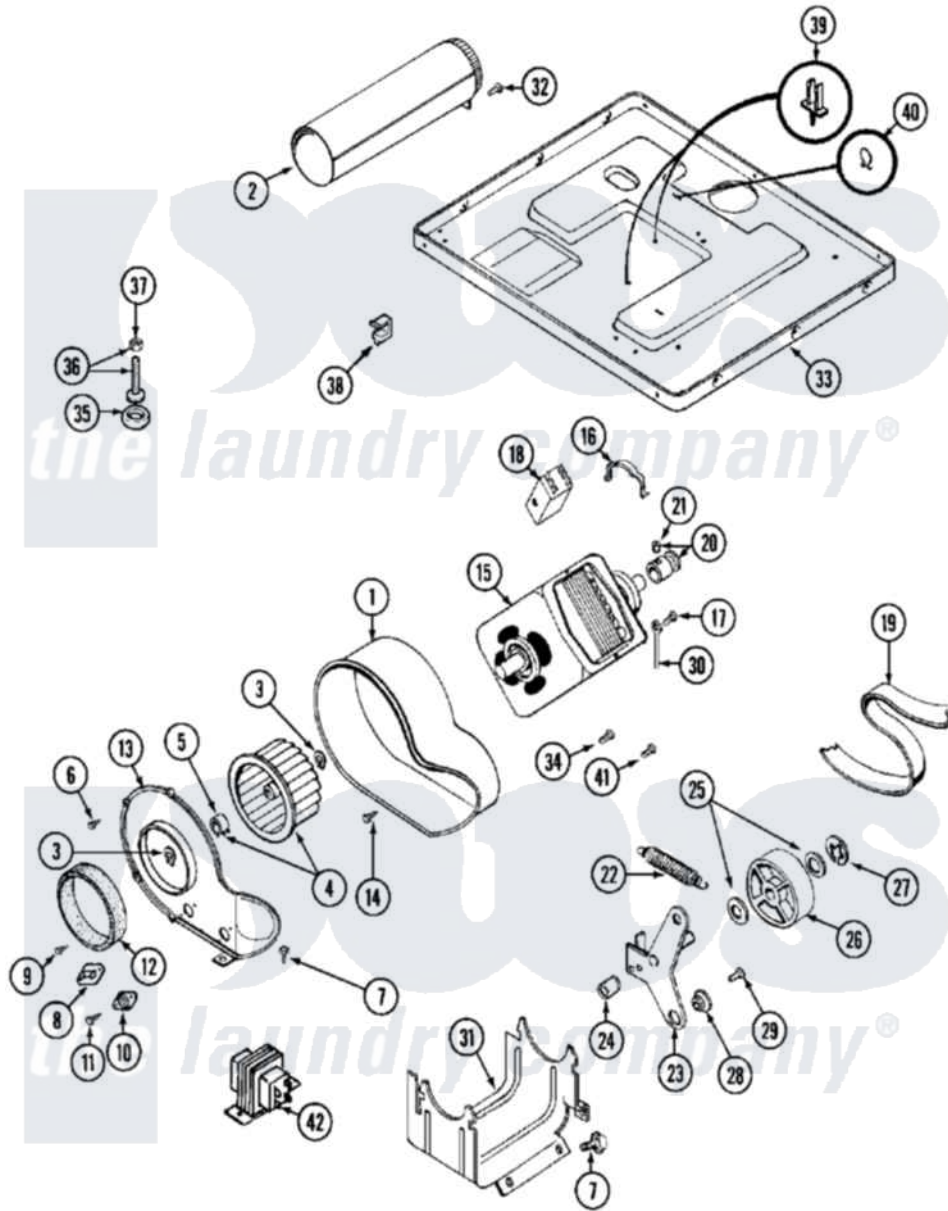


Maytag MDG11CSAAL 08 - MOTOR DRIVE



Maytag [Commercial Maytag MDG11CSAAL Dryer Parts](#) Parts Diagram 08 - MOTOR DRIVE
 Click on the part number to view part

| Item | Original Part Number | Replaced By | Status | Part Description |
|------|--------------------------|---------------------------|---------------|--|
| 001 | Y312893 | | | Housing, Blower |
| 002 | Y303442 | | | EXHAUST DUCT ASSEMBLY |
| 003 | 410233 | 9703438 | | Ring-Retrn |
| 004 | Y303836 | | | Blower Wheel Assembly And Clamp |
| 005 | 312967 | | | Clamp, Blower Housing |
| 006 | Y312961 | W10116751 | | Screw |
| 007 | Y313561 | | | Screw----NA |
| 008 | 303392 | | | Thermostat, Cycling |
| " | 306966 | | | Thermostat, Multi-Temp Part Not Used Mdg26ct-MN Only |
| " | 33001306 | | | Wire Harness, Thermostats |
| " | Y303225 | | | Thermostat, Permanent Press |
| 009 | 211294 | 90767 | | Screw, 8A X 3/8 HeX Washer Head Tapping |
| 010 | 306604 | | | Cut-Off, Thermal Part Not Used |
| 011 | NLA | | Not Available | SCREW, THERMAL CUT-OFF |

| | | | |
|-----|-------------------------|---------------------------|---|
| 012 | Y312901 | | Seal, Housing Cover |
| 013 | 314847 | | COVER, BLOWER HOUSING |
| 014 | 314818 | 1163839 | Screw |
| 015 | Y303358 | W10410999 | Motor-Drve |
| 016 | Y015825 | | Clip, Motor To Motor Support |
| 017 | 910343 | 488234 | Screw 8-32 X 1/4 |
| 018 | 306207 | Not Available | (PROD. No.303358-8 & No.303358-9) |
| " | NLA | Not Available | SWITCH, MOTOR EXTERNAL START |
| " | Y303877 | Not Available | SWITCH, MOTOR EXTERNAL START No.303358-2, No.303358-4, 303358-7 |
| " | Y303879 | | Switch, Motor External Start |
| 019 | Y312959 | | Poly "V" Belt For Tumbler |
| 020 | Y305185 | 6-3051850 | Pulley- MO |
| 021 | Y053241 | | Set Screw, Motor Pulley |
| 022 | Y303945 | | IDLER SPRING ASSY. W/PLUG |
| 023 | Y303363 | 6-3033630 | Idler Arm |
| 024 | Y313582 | W10116756 | Spacer |
| 025 | Y312527 | | Washer, Idler Shaft |
| 026 | Y303705 | 6-3037050 | Pulley- ID |
| 027 | 312958 | 354987 | Ring, Retaining |
| 028 | Y312894 | 315772 | Sleeve, Idler Arm |
| 029 | Y014874 | | Screw, Idler Arm And Sleeve |
| 030 | 901220 | | Ground Wire |
| 031 | NLA | Not Available | SUPPORT, MOTOR |
| 032 | Y310632 | 1163839 | Screw |
| 033 | 306530 | Not Available | BASE ASSEMBLY (LOWER) |
| " | Y307482 | Not Available | BASE ASSY. (UPPER & LOWER) |
| 034 | 211294 | 90767 | Screw, 8A X 3/8 HeX Washer Head Tapping |
| 035 | 210684 | | Foot, Adjustable Leg |
| 036 | Y302699 | 22003428 | Leg, Adjustable |
| 037 | 210385 | | Lock Nut For Adjustable Leg |
| 038 | Y310376 | | Clip, Door Switch Harness |
| 039 | 315471 | 22003298 | Retainer, Wire |
| 040 | 410490 | | Spring, Retainer Wire Harness |
| 041 | Y312961 | W10116751 | Screw |
| 042 | W10124350 | Not Available | NOT REQUIRED PART OR SEE NOTE |
| " | W10124350 | Not Available | NOT REQUIRED PART OR SEE NOTE |