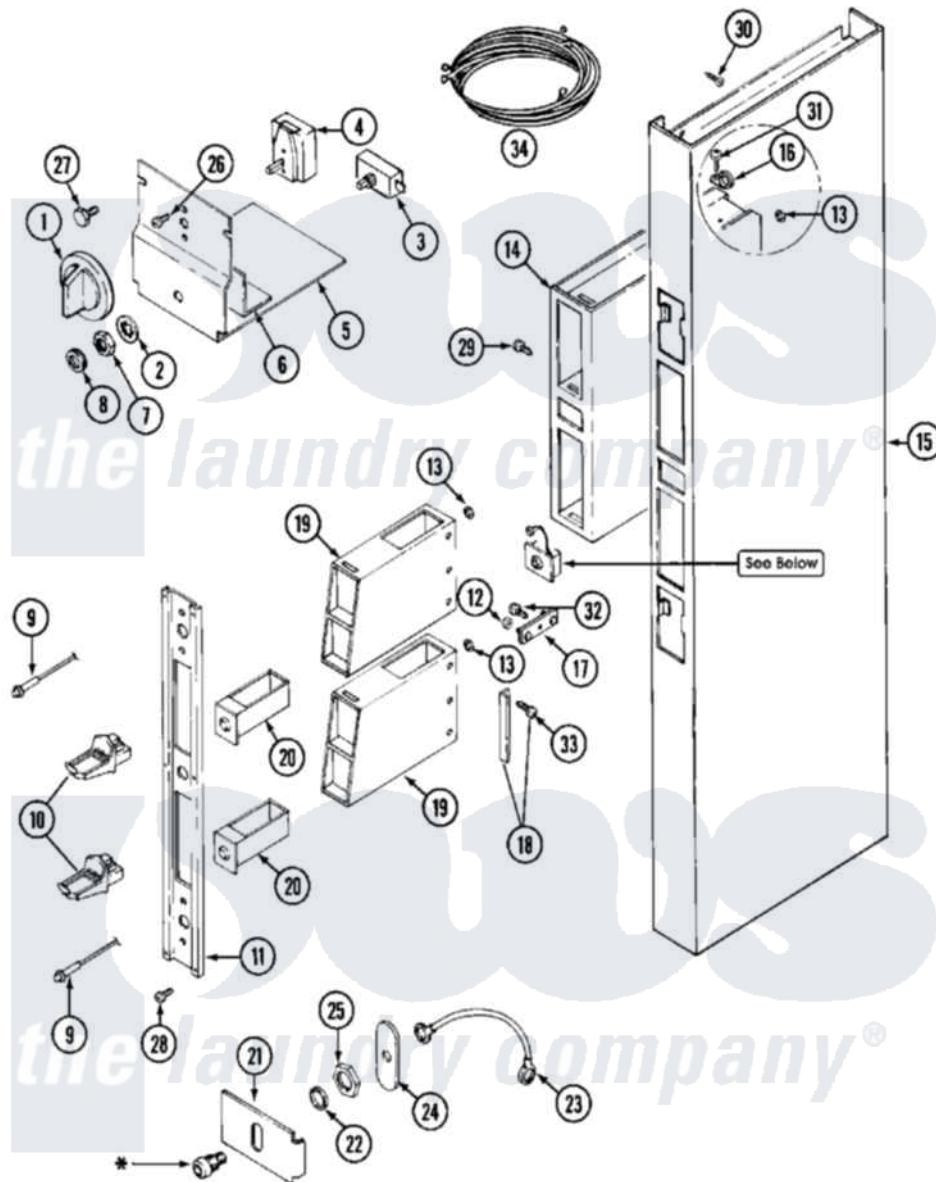


Maytag MDG11CSAGW 01 - CONTROL CENTER SHROUD



* Contact your Commercial Distributor For Security Items.

Maytag [Commercial Maytag MDG11CSAGW Dryer Parts](#) Parts Diagram 01 - CONTROL CENTER SHROUD
 Click on the part number to view part

Item	Original Part Number	Replaced By	Status	Part Description
001	205663			Knob For Selector Switch
002	312751			Lockwasher, Start Switch
003	306940	W10149462		Switch, Push-To-Start
004	307253			Switch, Cycle Selector
005	Y314261			Switch And Relay Bracket
006	NLA		Not Available	INSULATOR, SWITCH
007	Y312706	422617		Nut
008	Y312702			Knurled Nut, Start Switch
009	NLA		Not Available	LIGHT, INDICATOR
010	NLA		Not Available	MAYTAG COIN SLIDE (ACCY)
011	315037		Not Available	PANEL, VAULT
012	Y052740	62739		Nut, Lock
013	Y313671	33001303		Grommet, Plate Hole
014	211294	90767		Screw, 8A X 3/8 HeX Washer Head Tapping
"	305534		Not Available	VAULT ASSEMBLY

"	Y313559			Screw
015	211294	90767		Screw, 8A X 3/8 HeX Washer Head Tapping
"	NLA		Not Available	SHROUD, CONTROL (WHT)
"	NLA		Not Available	SCREW, CONTROL ASSEMBLY
016	910768	M0280301		Tie Electr
017	NLA		Not Available	STRAP, MOUNTING
018	NLA		Not Available	STOP, COIN METER
019	Y307081			Coin Meter Weld Assembly
"	NLA		Not Available	(ALM)
020	205423	208883		Coin Box K
"	205423L	208883		Coin Box K
021	313428		Not Available	PLATE FOR LATCH
022	NLA		Not Available	WASHER, LATCH
023	211168	W10139210		Screw, 8-18 X 5/16
"	Y303981			Ground Wire For Latch
024	Y313427	206637		Lock Kit
025	212328	W10139762		Hex Nut, 3/4-27
026	Y313588	488234		Screw 8-32 X 1/4
027	212276	W10116760		Screw
028	Y313424			Screw, Vault Panel
029	211294	90767		Screw, 8A X 3/8 HeX Washer Head Tapping
"	Y313559			Screw
030	213648	98165		Screw
031	211168	W10139210		Screw, 8-18 X 5/16
032	212276	W10116760		Screw
033	Y014872			Screw, Coin Meter Stop -
034	NLA		Not Available	WIRE HARNESS, MAIN (UPR)
"	Y307463			Wire Harness

