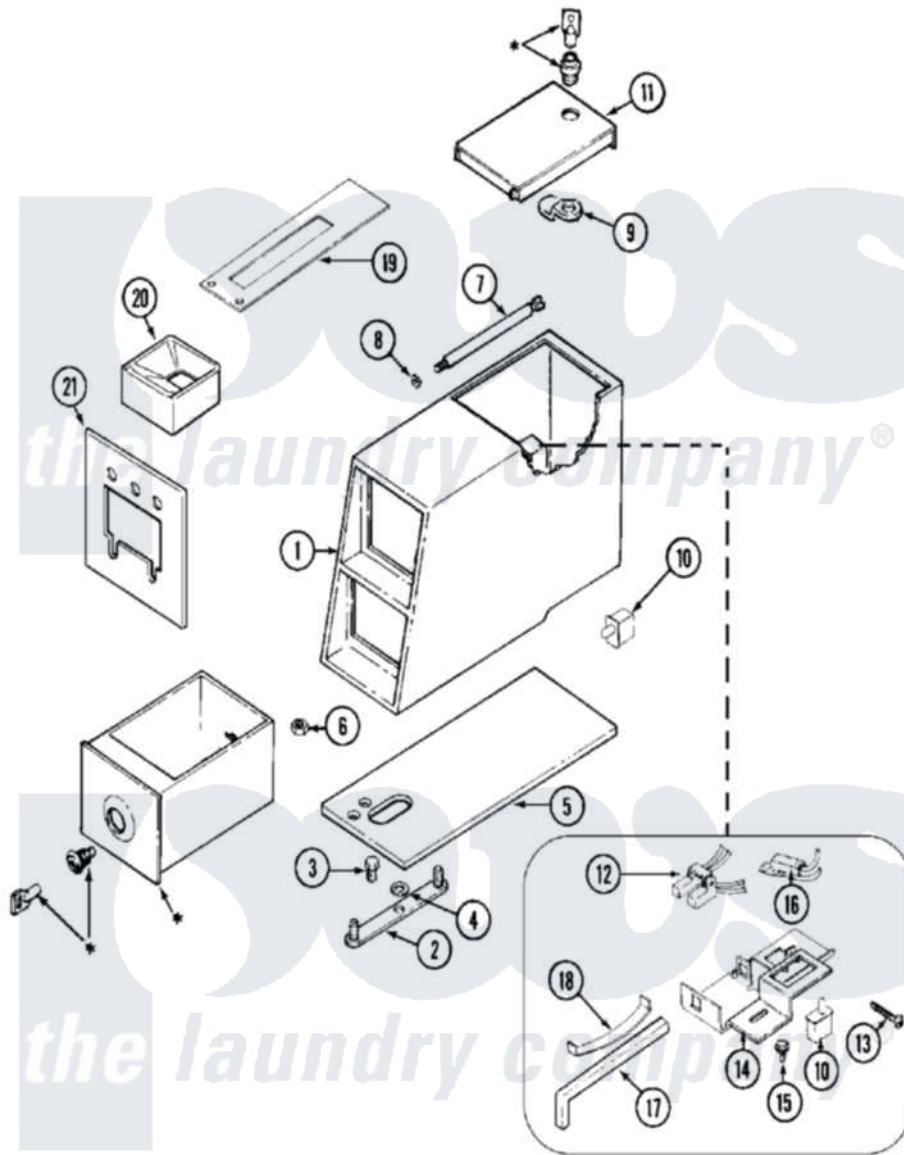


Maytag MDG12PSAGW 08 - CONTROL CENTER



***CONTACT YOUR COMMERCIAL LAUNDRY DISTRIBUTOR**

Maytag [Commercial Maytag MDG12PSAGW Dryer Parts](#) Parts Diagram 08 - CONTROL CENTER
 Click on the part number to view part

Item	Original Part Number	Replaced By	Status	Part Description
001	22001871		Not Available	VAULT, COIN (WHT)
002	22001810		Not Available	STRAP, MOUNTING
003	211294	90767		Screw, 8A X 3/8 HeX Washer Head Tapping
004	910309			Washer, Mounting Strap
005	22001870			Gasket, Coin Vault
006	Y052740	62739		Nut, Lock
007	22001903	8576635		Bolt
008	910387			Lockwasher, Vault Assembly
009	NLA		Not Available	CAM, LOCKING
010	33001250			Switch, Vault And Service Door
"	912012	3400409		Screw
011	22001910	22003679		Timer Access Door Assembly
012	206799			Optic Switch Assembly
"	22001965			Optic Switch Assembly
013	314665			Screw, Switch Assembly

014	33001253		Bracket, Sensor Switch
015	211605		Bezel, Timer Dial
"	212276	W10116760	Screw
016	208045		Harness, Wire Sensor Switch To Circuit Brd
"	22001966		Harness, Sensor Switch
017	216442		Rod, Actuator
018	33001252		Spring, Switch Rod
019	22001812	22003416	Actuator Kit
020	22001878	Not Available	CHUTE, COIN (REMOVED AT SERIES 24)
021	22001879	22001917	Plate, Adaptor
022	NLA	Not Available	BRACE, COIN SLIDE

the laundry company[®]

the laundry company[®]

the laundry company[®]