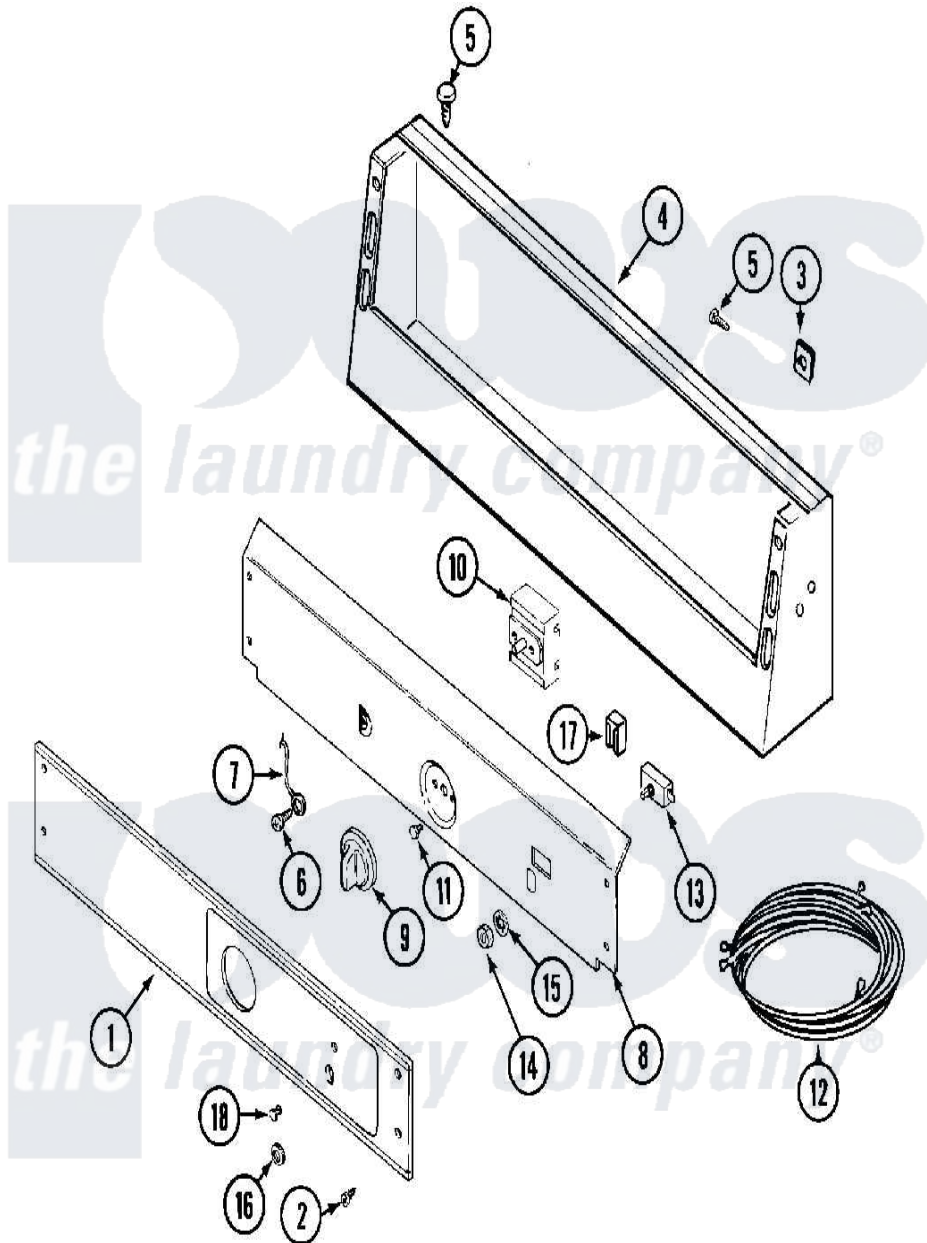


# Maytag MDG16CSDGW 01 - CONTROL PANEL



Maytag [Commercial Maytag MDG16CSDGW Dryer Parts](#) Parts Diagram 01 - CONTROL PANEL  
 Click on the part number to view part

| Item | Original Part Number     | Replaced By               | Status | Part Description             |
|------|--------------------------|---------------------------|--------|------------------------------|
| 001  | <a href="#">33002938</a> |                           |        | Facia - Cs                   |
| 002  | <a href="#">215506</a>   |                           |        | Screw, Control Panel Overlay |
| 003  | <a href="#">215506</a>   |                           |        | Screw, Control Panel Overlay |
| 004  | 22002925                 | <a href="#">3370225</a>   |        | Screw                        |
| "    | <a href="#">22003088</a> |                           |        | Console                      |
| "    | <a href="#">22003089</a> |                           |        | Console                      |
| "    | <a href="#">33001948</a> |                           |        | Transformer Lower            |
| 005  | 212276                   | <a href="#">W10116760</a> |        | Screw                        |
| 006  | <a href="#">211252</a>   |                           |        | Screw, Ground Wire           |
| 007  | <a href="#">205810</a>   |                           |        | Wire, Ground                 |
| 008  | <a href="#">33002521</a> |                           |        | Bracket, Back                |
| "    | <a href="#">33002522</a> |                           |        | Bracket, Back                |
| 009  | <a href="#">306938</a>   |                           |        | Knob, Selector Switch        |
| 010  | 307237                   | <a href="#">W10327105</a> |        | Switch, Cycle Selection      |
| "    | <a href="#">33002276</a> |                           |        | Switch, Cycle Selector       |
| 011  | <a href="#">Y313588</a>  | <a href="#">488234</a>    |        | Screw 8-32 X 1/4             |

|     |                          |                           |                           |
|-----|--------------------------|---------------------------|---------------------------|
| 012 | <a href="#">33002244</a> |                           | Wire Harness, Main        |
| "   | <a href="#">33002771</a> |                           | Harness, Wire Main        |
| 013 | 306940                   | <a href="#">W10149462</a> | Switch, Push-To-Start     |
| 014 | Y312706                  | <a href="#">422617</a>    | Nut                       |
| 015 | <a href="#">312751</a>   |                           | Lockwasher, Start Switch  |
| 016 | <a href="#">Y312702</a>  |                           | Knurled Nut, Start Switch |
| 017 | 22001365                 | <a href="#">W10139459</a> | Lamp-Indicator 230 V.     |
| "   | 33002798                 | <a href="#">Y303703</a>   | Pilot Light               |
| 018 | <a href="#">215564</a>   |                           | Lens, Indicator Light     |
| 019 | <a href="#">16009021</a> |                           | Manual, Service-No Refund |

