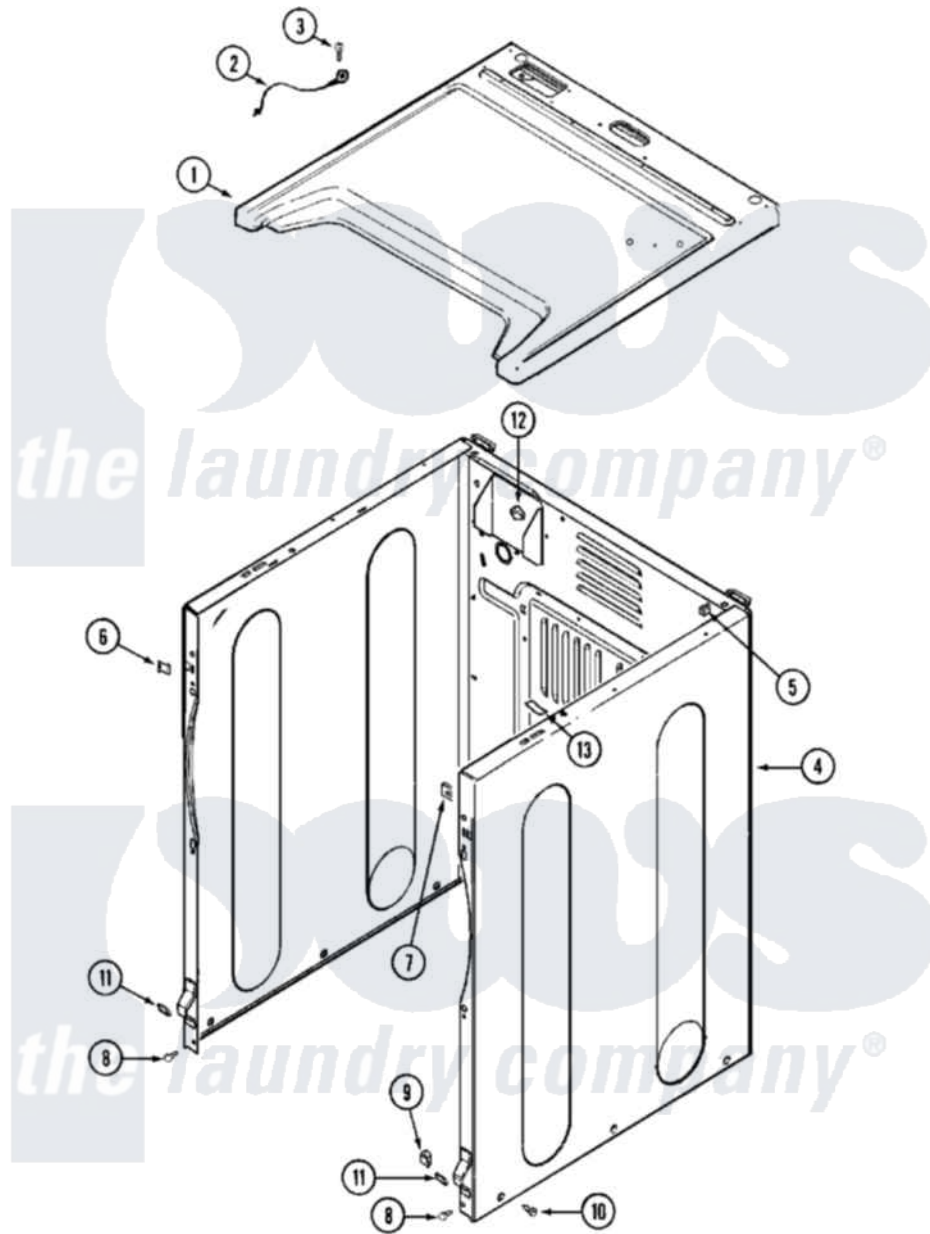


Maytag MDG16CSSAW 03 - CABINET-FRONT (MDG16CSSAW)



Maytag Commercial Maytag MDG16CSSAW Dryer Parts Parts Diagram 03 - CABINET-FRONT (MDG16CSSAW)
 Click on the part number to view part

Item	Original Part Number	Replaced By	Status	Part Description
001	33001949			Cover, Top
"	33002633			Cover, Top
002	22001959			Wire, Ground
003	210186	3370225		Screw
004	22001995			Screw Note: Screw, Tumbler Front And Shroud
"	22003367	22004095		Hinge, Plastic
"	NLA		Not Available	CABINET (WHT)
005	310933	33002194		Nut, Speed
006	22002049			Clip Note: Clip, Front Panel
007	213280	204439		Screw And Fstner Assembly
008	22001995			Screw Note: Screw, Tumbler Front And Shroud
009	Y310376			Clip, Door Switch Harness
010	213007			Xfor Cabinet See Cabinet, Back
"	22003409	213007		Xfor Cabinet See Cabinet, Back

011 [22002239](#)

Clip, Front Panel

012 [Y310376](#)

Clip, Door Switch Harness

013 [33001836](#)

Strap, Top Cover Support

