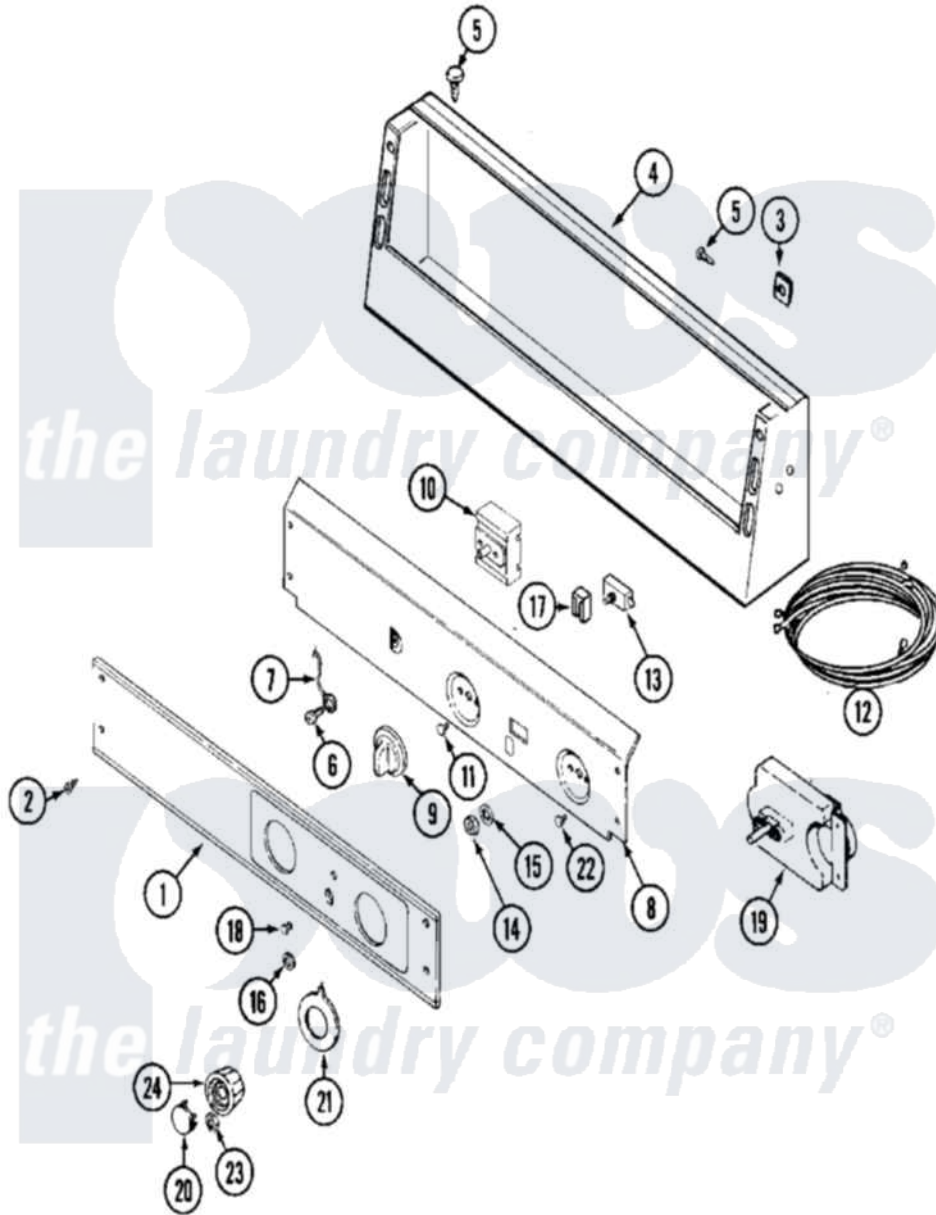


# Maytag MDG16MNDWW 01 - CONTROL PANEL



Maytag Commercial Maytag MDG16MNDWW Dryer Parts Parts Diagram 01 - CONTROL PANEL  
 Click on the part number to view part

Item	Original Part Number	Replaced By	Status	Part Description
001	<a href="#">33002937</a>			Facia - MN
002	<a href="#">215506</a>			Screw, Control Panel Overlay
003	<a href="#">215003</a>			Fastener, Panel And Bracket
004	<a href="#">22003101</a>			Console
"	<a href="#">33001948</a>			Transformer Lower
005	22001996	<a href="#">3370225</a>		Screw
006	<a href="#">211252</a>			Screw, Ground Wire
007	<a href="#">205810</a>			Wire, Ground
008	<a href="#">33002524</a>			Bracket, Back
009	<a href="#">306938</a>			Knob, Selector Switch
010	307237	<a href="#">W10327105</a>		Switch, Cycle Selection
"	<a href="#">33002276</a>			Switch, Cycle Selector
011	<a href="#">Y313588</a>	<a href="#">488234</a>		Screw 8-32 X 1/4
012	<a href="#">33002246</a>			Wire Harness, Main
"	<a href="#">33002773</a>			Wire Harness, Main
013	306940	<a href="#">W10149462</a>		Switch, Push-To-Start

014	<a href="#">Y312706</a>	<a href="#">422617</a>	Nut
015	<a href="#">312751</a>		Lockwasher, Start Switch
016	<a href="#">Y312702</a>		Knurled Nut, Start Switch
017	22001365	<a href="#">W10139459</a>	Lamp-Indicator 230 V.
"	33002798	<a href="#">Y303703</a>	Pilot Light
018	<a href="#">215564</a>		Lens, Indicator Light
019	<a href="#">305214</a>		Timer
"	<a href="#">Y305758</a>		Timer 240-50
020	314723	<a href="#">W10133501</a>	Cap, Knob
021	<a href="#">33001500</a>		Dial, Timer Indicator
022	<a href="#">Y313588</a>	<a href="#">488234</a>	Screw 8-32 X 1/4
023	<a href="#">312273</a>		Nut, Control Knob
024	<a href="#">314724</a>		Knob For Timer
025	<a href="#">16009021</a>		Manual, Service-No Refund
"	<a href="#">33002671</a>		Use And Care Manual
"	33002712		Not Available MANUAL, OWNERS

