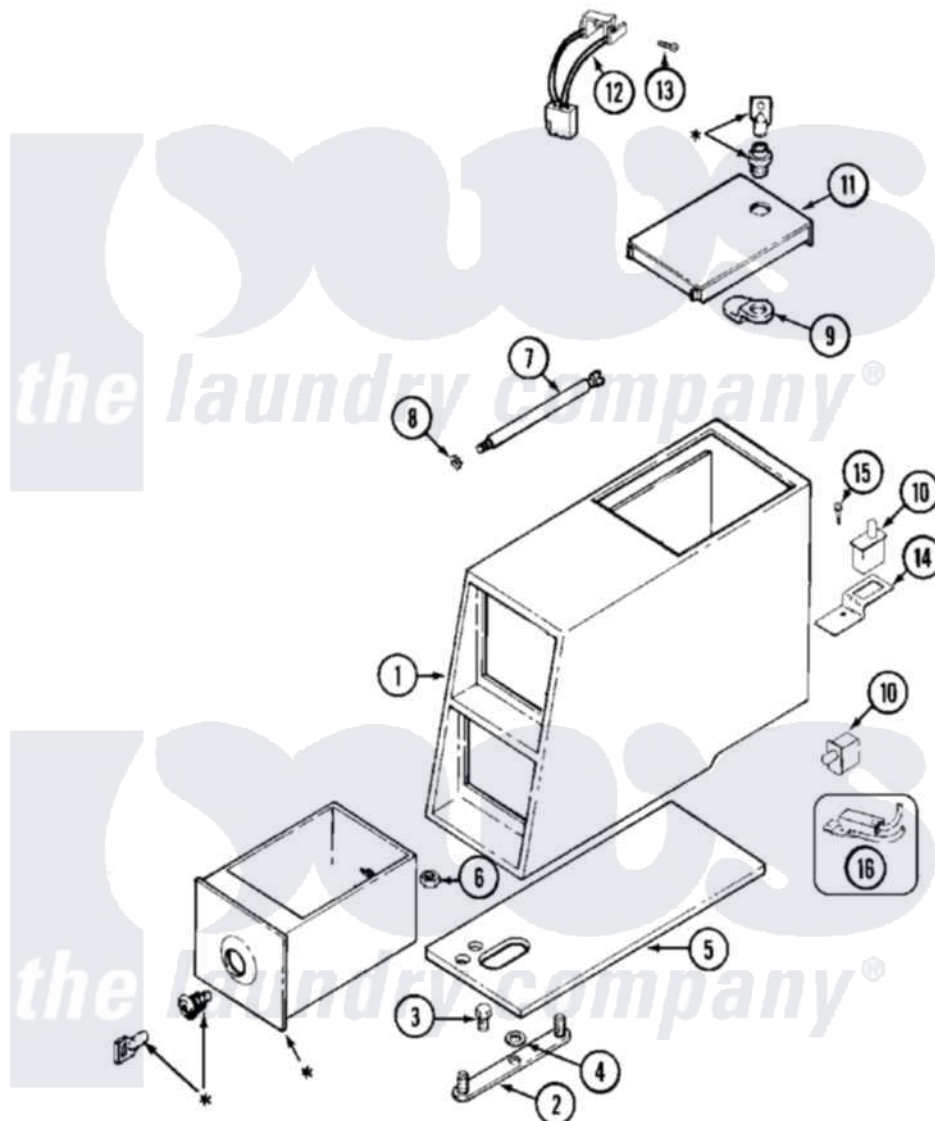


# Maytag MDG16PDAGW 02 - CONTROL CENTER



\* CONTACT YOUR COMMERCIAL LAUNDRY DISTRIBUTOR

Maytag [Commercial Maytag MDG16PDAGW Dryer Parts](#) Parts Diagram 02 - CONTROL CENTER  
 Click on the part number to view part

Item	Original Part Number	Replaced By	Status	Part Description
001	212276	<a href="#">W10116760</a>		Screw
"	<a href="#">22002480</a>			Vault, Coin PD Coin Drop Supplied By Dist.
002	22001810		Not Available	STRAP, MOUNTING
003	22001996	<a href="#">3370225</a>		Screw
004	<a href="#">910309</a>			Washer, Mounting Strap
005	<a href="#">22002072</a>			Gasket, Control Center
006	<a href="#">Y052740</a>	<a href="#">62739</a>		Nut, Lock
007	<a href="#">213035</a>			Bolt, Locking
008	<a href="#">910181</a>			Lockwasher, Terminal Block
009	NLA		Not Available	CAM, LOCKING
010	<a href="#">22002536</a>			Switch, Sensor
"	<a href="#">33001250</a>			Switch, Vault And Service Door
011	22001910	<a href="#">22003679</a>		Timer Access Door Assembly
012	<a href="#">22001965</a>			Optic Switch Assembly
013	<a href="#">314665</a>			Screw, Switch Assembly

014 [22001404](#)

Bracket, Service Switch

015 212276

[W10116760](#)

Screw

016 [22001966](#)

Harness, Sensor Switch

