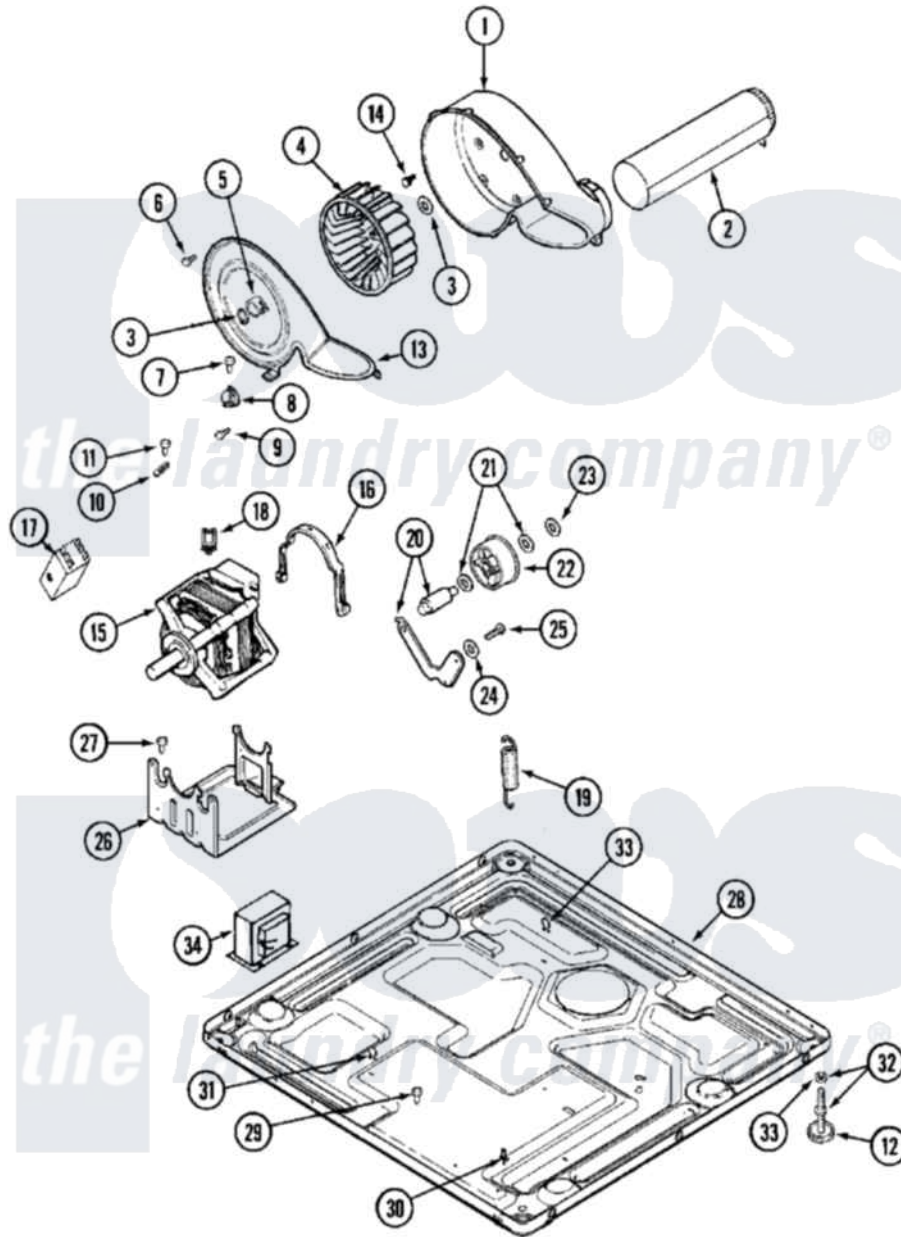


Maytag MDG16PDAGW 07 - MOTOR DRIVE



Maytag Commercial Maytag MDG16PDAGW Dryer Parts Parts Diagram 07 - MOTOR DRIVE
 Click on the part number to view part

| Item | Original Part Number | Replaced By | Status | Part Description |
|------|--------------------------|--------------------------|---------------|---|
| 001 | 33001789 | | | Housing, Blower |
| 002 | 22001995 | | | Screw Note: Screw, Tumbler Front And Shroud |
| " | 33001800 | | | Duct Assembly, Exhaust |
| 003 | 410233 | 9703438 | | Ring-Retrn |
| 004 | 33001790 | | | Wheel, Blower |
| 005 | 312967 | | | Clamp, Blower Housing |
| 006 | 33001855 | 33002917 | | Screw, No.10-16 |
| 007 | Y313561 | | | Screw---NA |
| 008 | 303392 | | | Thermostat, Cycling |
| " | 33303391 | | | Thermostat, Cycling |
| 009 | 22001996 | 3370225 | | Screw |
| 010 | 33001762 | | | Fuse, Thermal |
| 011 | NLA | | Not Available | SCREW, THERMAL CUT-OFF |
| 012 | Y314137 | | | Foot, Rubber |
| 013 | 33001796 | 33002711 | | Cover, Blower Housing |
| 014 | 314818 | 1163839 | | Screw |

| | | | |
|-----|--------------------------|---------------------------|---|
| 015 | 33001945 | W10197708 | Motor-Drve |
| " | 33002463 | W10197708 | Motor-Drve |
| " | 33002479 | W10197708 | Motor-Drve |
| 016 | Y015825 | | Clip, Motor To Motor Support |
| 017 | NLA | Not Available | SWITCH, MOTOR |
| 018 | Y310376 | | Clip, Door Switch Harness |
| 019 | 33001754 | 33002459 | Assembly, Spring And Plug |
| " | 33002460 | 33002459 | Assembly, Spring And Plug |
| " | 33002461 | | Plug For Spring |
| 020 | 33001840 | 6-3705180 | Idler Arm |
| 021 | Y312527 | | Washer, Idler Shaft |
| 022 | 33001783 | 6-3700340 | BearIng- I |
| 023 | 312958 | 354987 | Ring, Retaining |
| 024 | 315772 | | Sleeve, Idler Arm |
| 025 | Y014874 | | Screw, Idler Arm And Sleeve |
| 026 | Y313561 | | Screw----NA |
| " | 33001752 | 33002817 | Motor Support, Offset |
| " | 33002466 | 33002817 | Motor Support, Offset |
| 027 | Y313561 | | Screw----NA |
| 028 | 33002622 | | Base, |
| " | NLA | Not Available | BASE ASSEMBLY |
| 029 | 22001078 | 3177991 | Screw |
| 030 | 315471 | 22003298 | Retainer, Wire |
| 031 | 410490 | | Spring, Retainer Wire Harness |
| 032 | Y305086 | | Adjustable Leg And Nut |
| 033 | Y052740 | 62739 | Nut, Lock |
| 035 | 211294 | 90767 | Screw, 8A X 3/8 HeX Washer Head Tapping |
| " | 33001948 | | Transformer Lower |
| " | Y313559 | | Screw |

