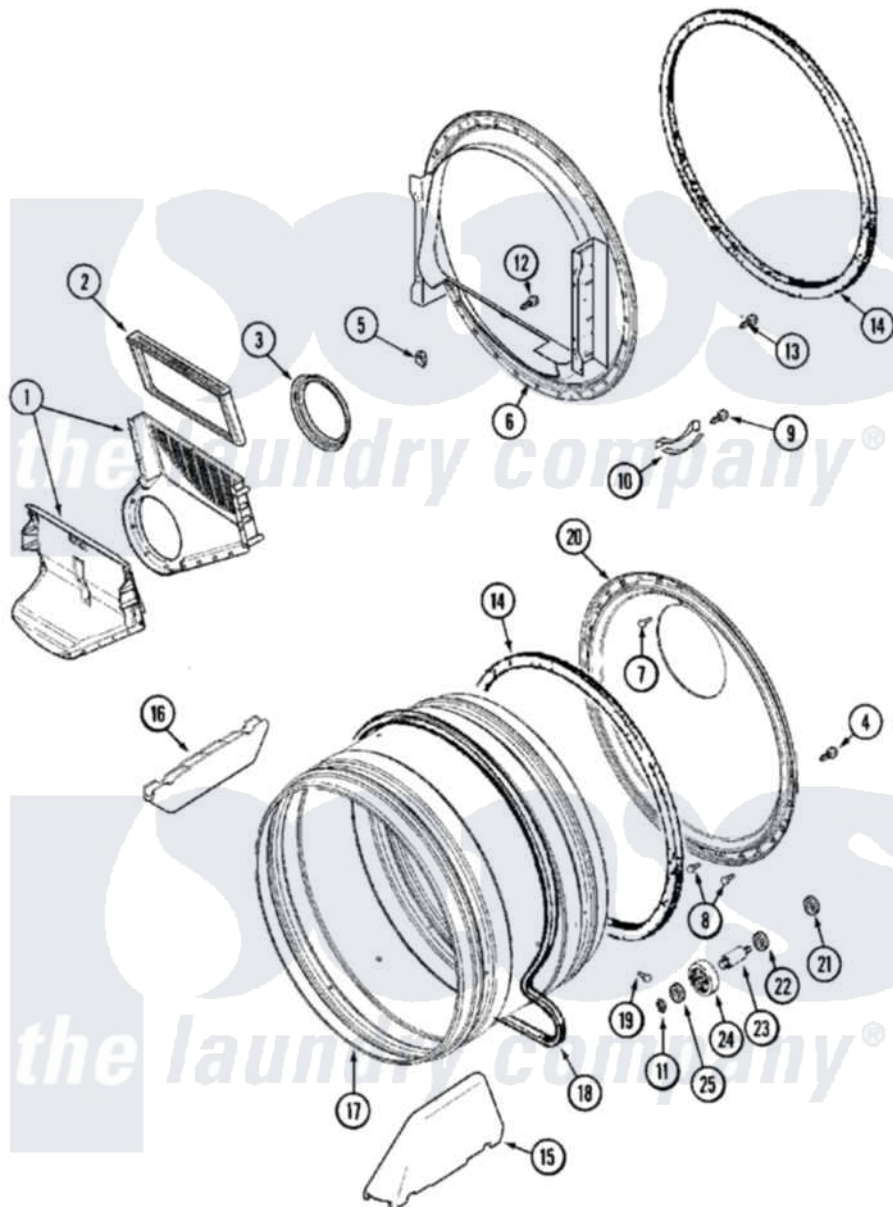


# Maytag MDG16PDAWA 07 - TUMBLER



Maytag [Commercial Maytag MDG16PDAWA Dryer Parts](#) Parts Diagram 07 - TUMBLER  
 Click on the part number to view part

Item	Original Part Number	Replaced By	Status	Part Description
001	<a href="#">33001799</a>			Outlet Duct Assembly Note: Outlet Duct Assembly
002	<a href="#">33001808</a>			Filter, Lint
003	33001758	<a href="#">33002560</a>		Seal, Blower
004	<a href="#">33002190</a>			SCrew, C BraCe, BraCket, Cabinet
005	<a href="#">Y310376</a>			Clip, Door Switch Harness
006	<a href="#">33001802</a>			Front, Tumbler
007	<a href="#">210932</a>			Screw, No.8 X 9/16 Ctsk Note: Screw, Inlet Duct
008	22001996	<a href="#">3370225</a>		Screw
009	<a href="#">210720</a>			Rivet, Bearing To Tumbler Frnt
010	<a href="#">306508</a>			Tumbler Bearing Kit ---W
011	410233	<a href="#">9703438</a>		Ring-Retr
012	NLA		Not Available	SCREW, OUTLET DUCT (PHILLIPS)
013	33001855	<a href="#">33002917</a>		Screw, No.10-16
014	<a href="#">33001807</a>			Seal, Tumbler

015	33001756	<a href="#">33002032</a>	Baffle
016	<a href="#">33001755</a>		Baffle
017	<a href="#">33001889</a>		Tumbler
018	33001777	<a href="#">33002535</a>	V-Belt
019	33001788	<a href="#">33002973</a>	Screw, No.9-15 X 1.00 Hx WS
020	<a href="#">33001801</a>		Back, Tumbler
021	<a href="#">33001443</a>		Nut, Hex
022	Y313347	<a href="#">312535</a>	Washer, Vault Mounting Brk.
023	Y312948	<a href="#">6-3129480</a>	Shaft- Tumbler
024	Y303373	<a href="#">12001541</a>	Drum Roller/Washer Assembly--W
025	<a href="#">312535</a>		Washer, Vault Mounting Brk.

*the laundry company*<sup>®</sup>

*the laundry company*<sup>®</sup>

*the laundry company*<sup>®</sup>