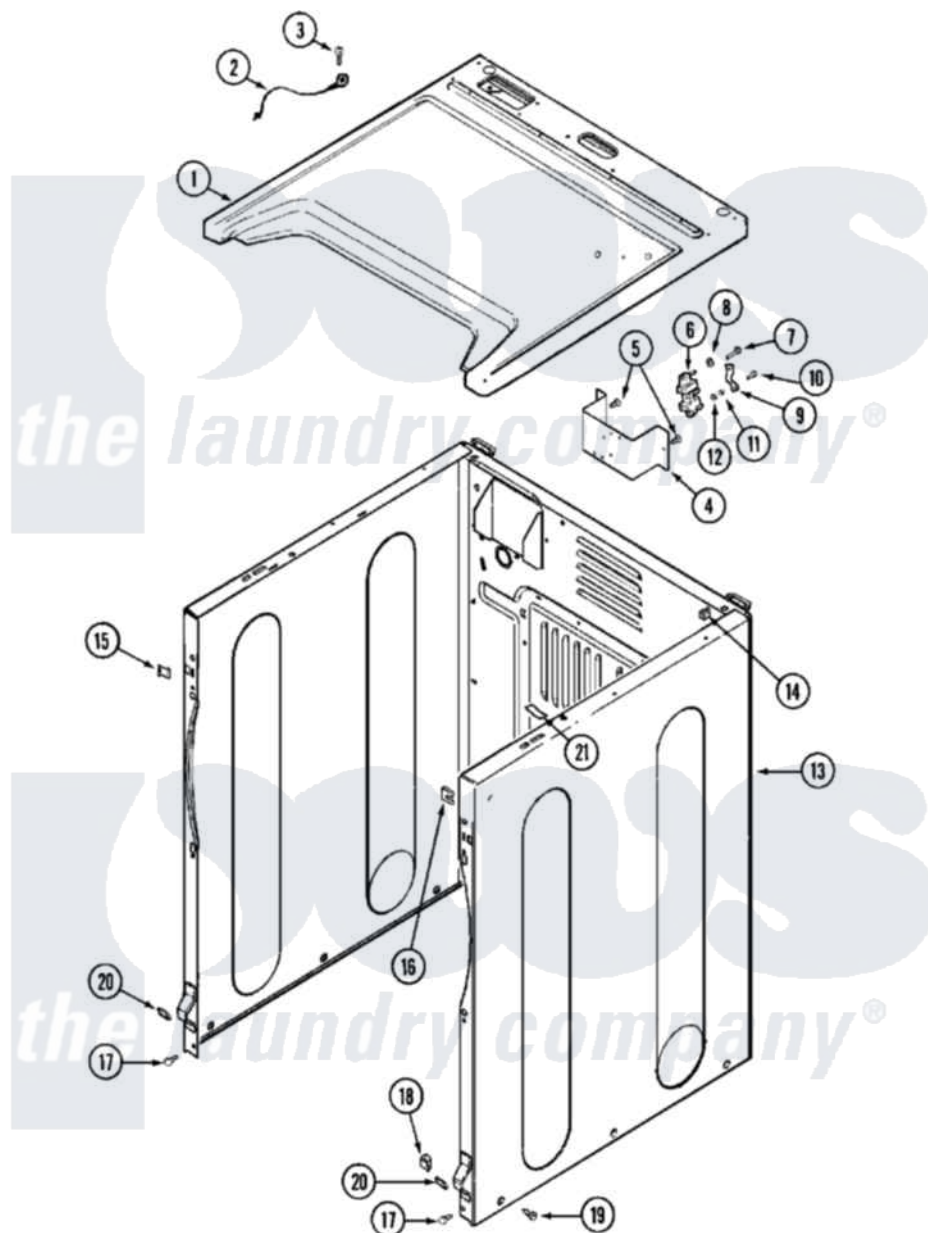


Maytag MDG16PDAWA 09 - CABINET-FRONT (MDG16PDAWQ
MDG16PDAXQ)



Maytag Commercial Maytag MDG16PDAWA Dryer Parts Parts Diagram 09 - CABINET-FRONT (MDG16PDAWQ
MDG16PDAXQ)

[Click on the part number to view part](#)

Item	Original Part Number	Replaced By	Status	Part Description
001	33002634		Not Available	COVER, TOP (BSQ-AS PK)
"	NLA		Not Available	COVER, TOP (BSQ)
002	22001959			Wire, Ground
003	210186	3370225		Screw
004	NLA		Not Available	BRACKET, TERMINAL BLOCK---NA
005	22001995			Screw Note: Screw, Tumbler Front And Shroud
006	33001244			Block, Terminal
007	Y312209	W10001200		Screw
008	Y311270			Washer, Terminal Block
009	Y312184			Strap, Grounding
010	NLA		Not Available	SCREW, GROUND STRAP
011	311484	112432		Nut
012	311093			Washer, Terminal Connection

014	310933	33002194	Nut, Speed
"	NLA		Not Available
			CABINET (BSQ)
015	22002049		Clip Note: Clip, Front Panel
016	213280	204439	Screw And Fstner Assembly
017	22001995		Screw Note: Screw, Tumbler Front And Shroud
018	22003298		Retainer, Wire
019	22003409	213007	Xfor Cabinet See Cabinet, Back
020	22002239		Clip, Front Panel
021	33001836		Strap, Top Cover Support

