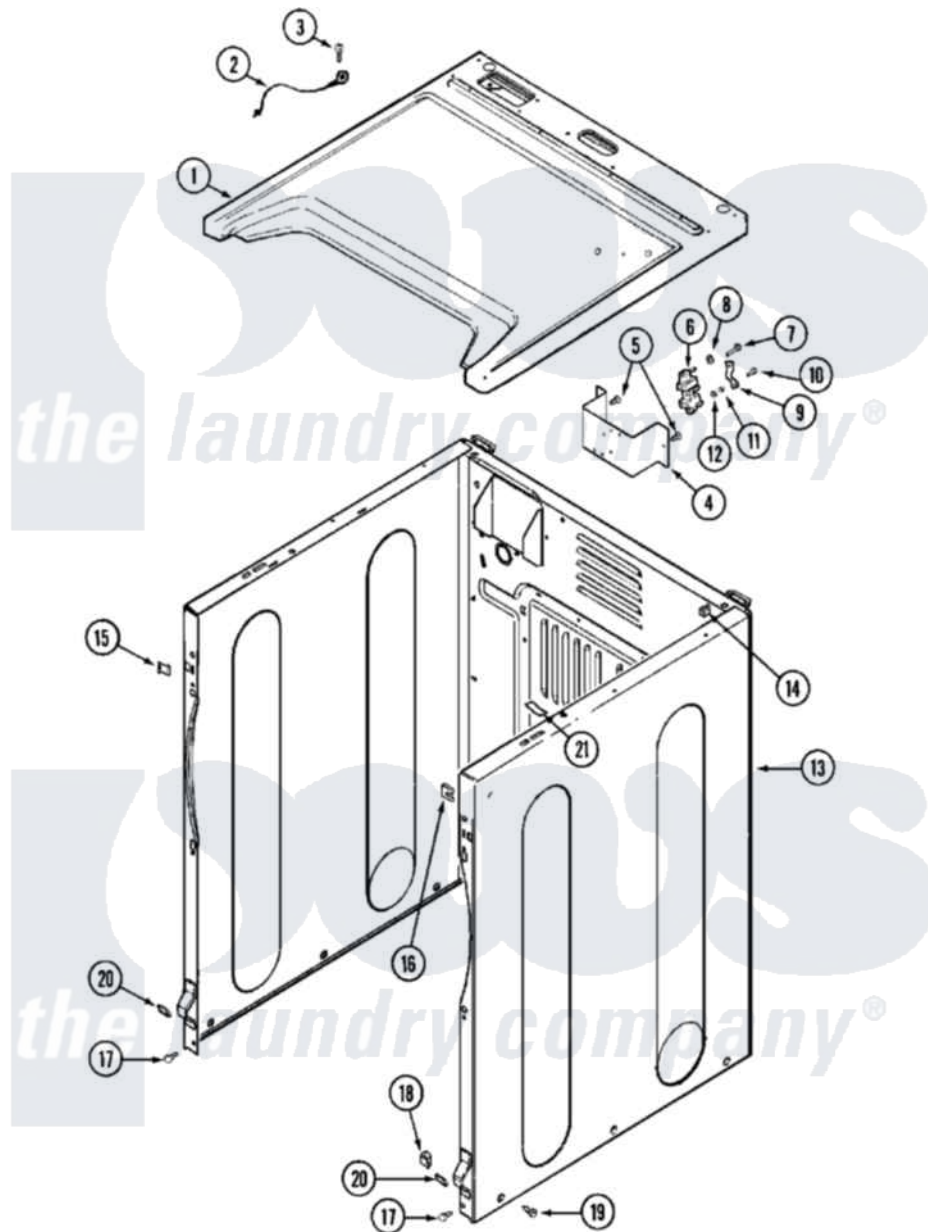


Maytag MDG16PDAXA 09 - CABINET-FRONT (MDG16PDAWQ  
MDG16PDAXQ)



Maytag Commercial Maytag MDG16PDAXA Dryer Parts Parts Diagram 09 - CABINET-FRONT (MDG16PDAWQ  
MDG16PDAXQ)

[Click on the part number to view part](#)

Item	Original Part Number	Replaced By	Status	Part Description
001	33002634		Not Available	COVER, TOP (BSQ-AS PK)
"	NLA		Not Available	COVER, TOP (BSQ)
002	<a href="#">22001959</a>			Wire, Ground
003	210186	<a href="#">3370225</a>		Screw
004	NLA		Not Available	BRACKET, TERMINAL BLOCK---NA
005	<a href="#">22001995</a>			Screw Note: Screw, Tumbler Front And Shroud
006	<a href="#">33001244</a>			Block, Terminal
007	<a href="#">Y312209</a>	<a href="#">W10001200</a>		Screw
008	<a href="#">Y311270</a>			Washer, Terminal Block
009	<a href="#">Y312184</a>			Strap, Grounding
010	NLA		Not Available	SCREW, GROUND STRAP
011	<a href="#">311484</a>	<a href="#">112432</a>		Nut
012	<a href="#">311093</a>			Washer, Terminal Connection

014	310933	<a href="#">33002194</a>	Nut, Speed
"	NLA		Not Available
			CABINET (BSQ)
015	<a href="#">22002049</a>		Clip Note: Clip, Front Panel
016	213280	<a href="#">204439</a>	Screw And Fstner Assembly
017	<a href="#">22001995</a>		Screw Note: Screw, Tumbler Front And Shroud
018	<a href="#">22003298</a>		Retainer, Wire
019	22003409	<a href="#">213007</a>	Xfor Cabinet See Cabinet, Back
020	<a href="#">22002239</a>		Clip, Front Panel
021	<a href="#">33001836</a>		Strap, Top Cover Support

