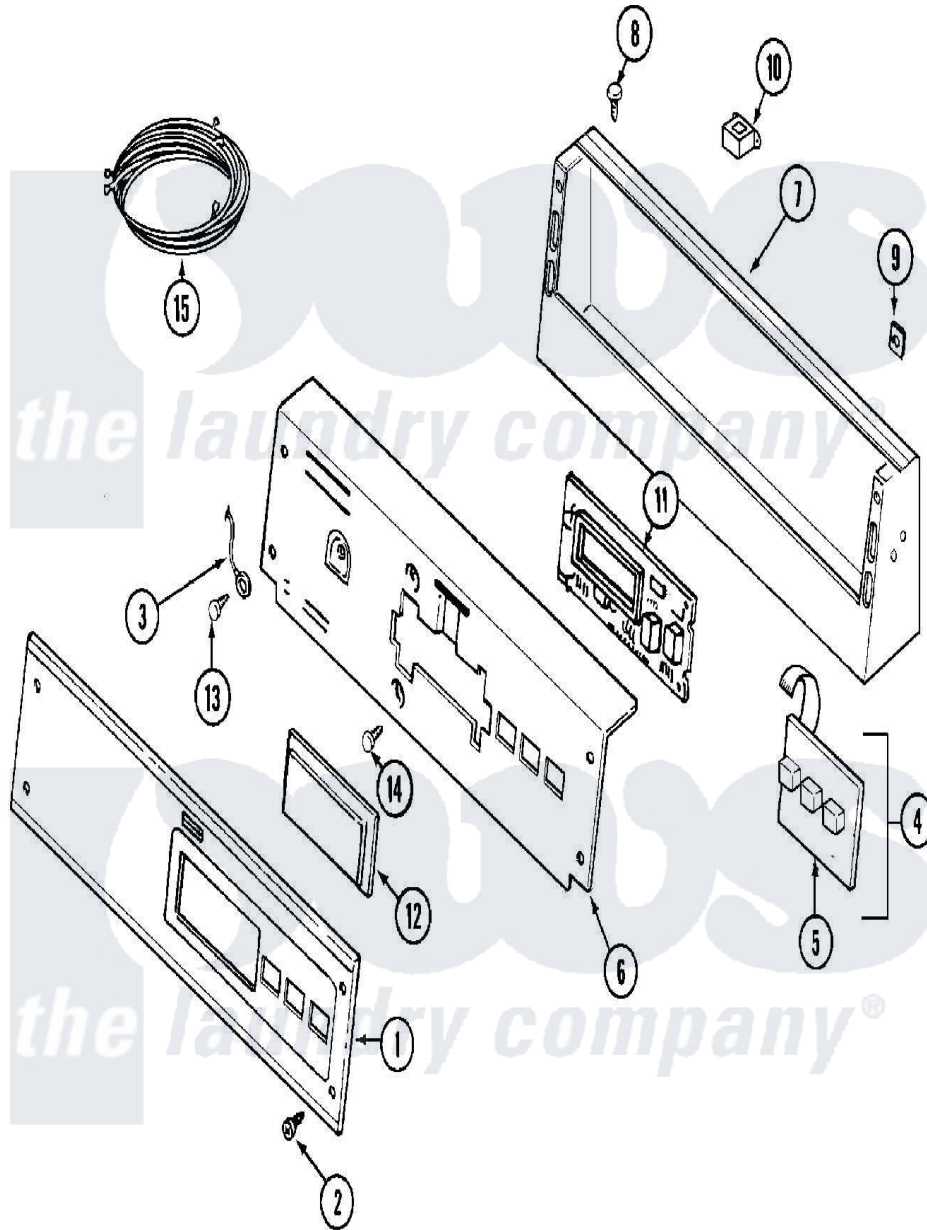


**Maytag MDG16PDAXQ 04 - CONTROL PANEL
(MDG16PDAWQ/MDG16PDAXQ)**



Maytag [Commercial Maytag MDG16PDAXQ Dryer Parts](#) Parts Diagram 04 - CONTROL PANEL
(MDG16PDAWQ/MDG16PDAXQ)
Click on the part number to view part

Item	Original Part Number	Replaced By	Status	Part Description
001	33001784	33002941		Facia - Pd/Ps
002	215506			Screw, Control Panel Overlay
003	22001959			Wire, Ground
004	215527	W10140652		Screw, 6-20 X 1/2
"	306694			Backup Plate With Switch
005	215517	W10131113		Push Button
006	22001511	22002954		Deflector, Water
"	33002429			Bracket, Back
"	NLA		Not Available	BRACKET, BACK (BSQ)
007	22002889			Console
"	22003088			Console
008	22001996	3370225		Screw
009	215003			Fastener, Panel And Bracket
010	211251			Screw, Transformer
"	22001419			Nut, Transformer

"	22001960		Transformer
011	33001204		Stand-Off, Ccontrol Board
"	33001746	W10130081	Control Board
"	912077		Locknut, Reader Harness
012	22001962	W10131114	Cover, Display
013	211252		Screw, Ground Wire
014	215526		Screw, Circuit Board
015	NLA	Not Available	WIRE HARNESS, MAIN

