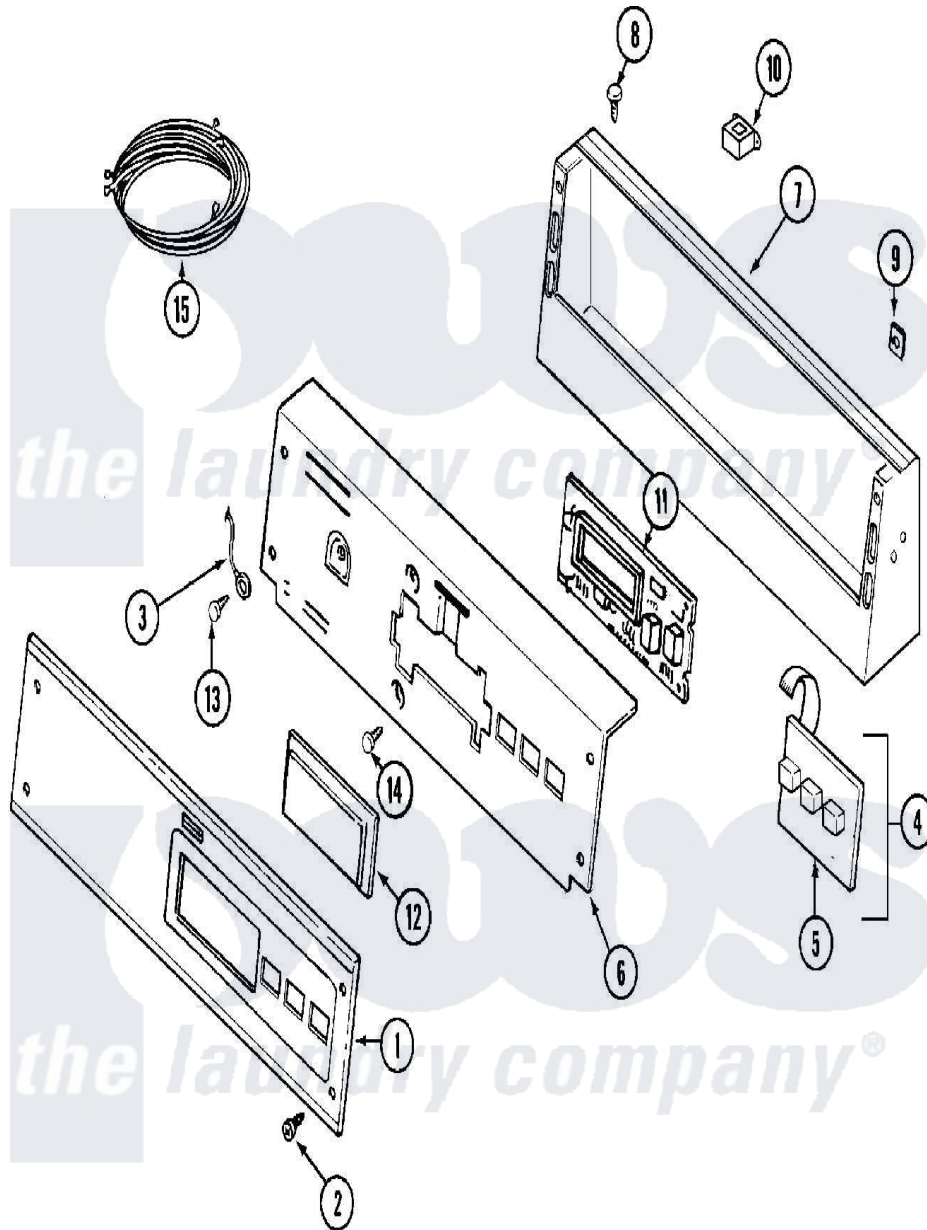


# Maytag MDG16PDBGW (BOM MDG16PDBGW) 01 - CONTROL PANEL



Maytag Commercial Maytag MDG16PDBGW (BOM MDG16PDBGW) Dryer Parts Parts Diagram 01 - CONTROL PANEL  
 Click on the part number to view part

Item	Original Part Number	Replaced By	Status	Part Description
001	33001784	<a href="#">33002941</a>		Facia - Pd/Ps
002	<a href="#">215506</a>			Screw, Control Panel Overlay
003	<a href="#">205810</a>			Wire, Ground
004	215527	<a href="#">W10140652</a>		Screw, 6-20 X 1/2
"	<a href="#">33002165</a>			Backup Plate W/Switch Assembly
005	215517	<a href="#">W10131113</a>		Push Button
006	<a href="#">22002954</a>			Deflector, Water
"	<a href="#">33002519</a>			Bracket, Back
007	<a href="#">22003089</a>			Console
008	22001996	<a href="#">3370225</a>		Screw
009	<a href="#">215003</a>			Fastener, Panel And Bracket
010	<a href="#">211251</a>			Screw, Transformer
"	<a href="#">22001419</a>			Nut, Transformer
"	<a href="#">22002139</a>			Transformer
011	<a href="#">33001204</a>			Stand-Off, Ccontrol Board
"	33002358	<a href="#">W10130081</a>		Control Board

"	<a href="#">912077</a>		Locknut, Reader Harness
012	22001962	<a href="#">W10131114</a>	Cover, Display
013	<a href="#">211252</a>		Screw, Ground Wire
014	<a href="#">215526</a>		Screw, Circuit Board
015	<a href="#">33001973</a>		Wire Harness, Main

