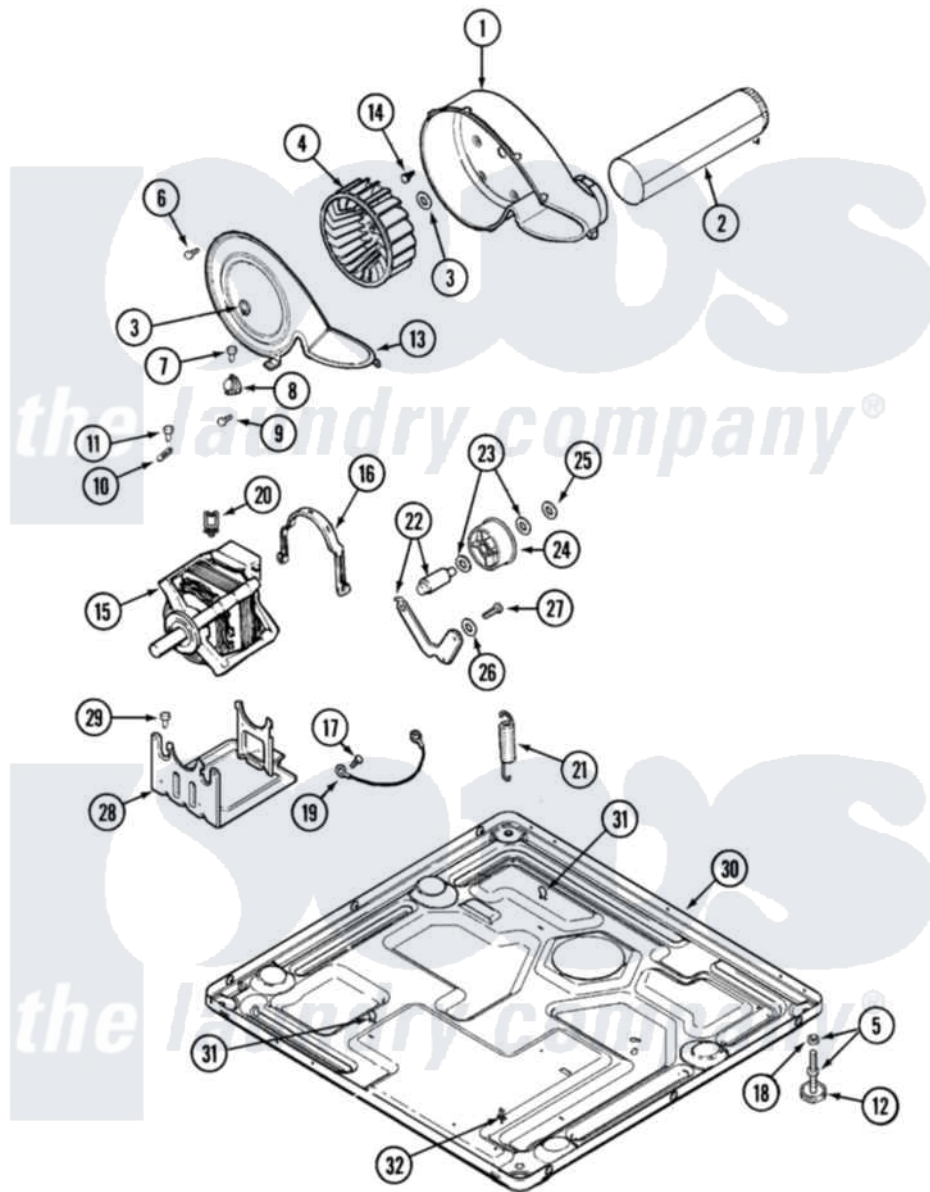


Maytag MDG16PDDGW 08 - MOTOR DRIVE & BASE



Maytag [Commercial Maytag MDG16PDDGW Dryer Parts](#) Parts Diagram 08 - MOTOR DRIVE & BASE
 Click on the part number to view part

Item	Original Part Number	Replaced By	Status	Part Description
001	33001789			Housing, Blower
002	22001995			Screw Note: Screw, Tumbler Front And Shroud
"	33001800			Duct Assembly, Exhaust
003	410233	9703438		Ring-Retrn
004	33001790			Wheel, Blower
005	Y305086			Adjustable Leg And Nut
006	33001855	33002917		Screw, No.10-16
007	Y313561			Screw---NA
008	303392			Thermostat, Cycling
"	Y303391	33303391		Thermostat, Cycling
009	22001996	3370225		Screw
010	33001762			Fuse, Thermal
011	NLA		Not Available	SCREW, THERMAL CUT-OFF
012	Y314137			Foot, Rubber
013	33001837			Cover, Thermostat
"	33002711			Cover, Blower Housing

014	314818	1163839	Screw
015	33002796	W10197708	Motor-Drve
016	33002221	Y015825	Clip, Motor To Motor Support
017	910343	488234	Screw 8-32 X 1/4
018	Y052740	62739	Nut, Lock
019	901220		Ground Wire
020	Y310376		Clip, Door Switch Harness
021	33002460	33002459	Assembly, Spring And Plug
"	33002461		Plug For Spring
022	33001840	6-3705180	Idler Arm
023	Y312527		Washer, Idler Shaft
024	33001783	6-3700340	BearIng- I
025	312958	354987	Ring, Retaining
026	33002218		Grommet, Idler Arm
027	Y014874		Screw, Idler Arm And Sleeve
028	33002817		Motor Support, Offset
029	Y313561		Screw----NA
030	33001821		Transformer
"	33001948		Transformer Lower
"	NLA	Not Available	BASE, (LWR)----NA
031	410490		Spring, Retainer Wire Harness
032	315471	22003298	Retainer, Wire

