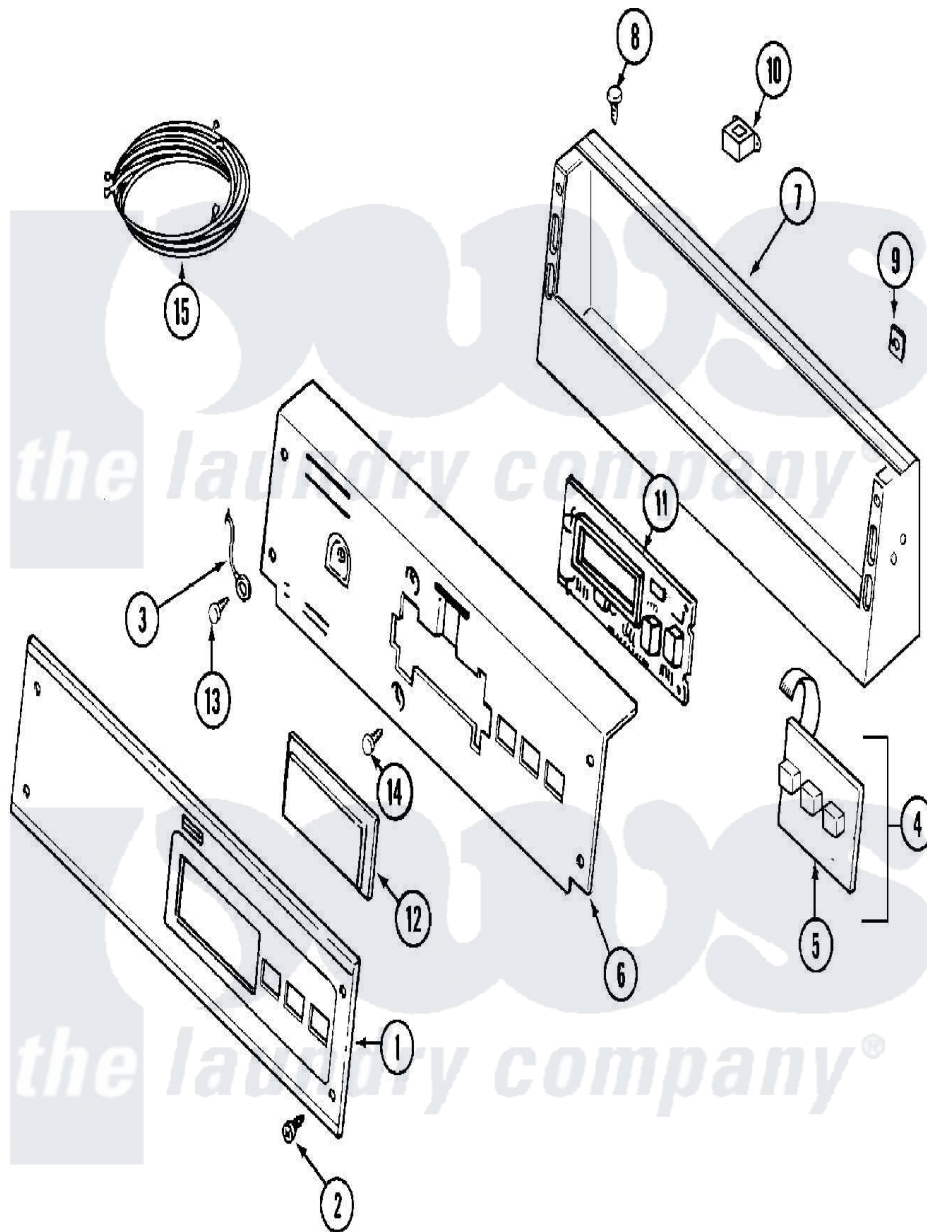


Maytag MDG16PDDXW 01 - CONTROL PANEL



Maytag [Commercial Maytag MDG16PDDXW Dryer Parts](#) Parts Diagram 01 - CONTROL PANEL
 Click on the part number to view part

Item	Original Part Number	Replaced By	Status	Part Description
001	33002941			Facia - Pd/Ps
002	215506			Screw, Control Panel Overlay
003	22001959			Wire, Ground
004	215527	W10140652		Screw, 6-20 X 1/2
"	306694			Backup Plate With Switch
005	33002863	W10131113		Push Button
006	22002954			Deflector, Water
"	33002519			Bracket, Back
007	22003089			Console
008	22001996	3370225		Screw
009	215003			Fastener, Panel And Bracket
010	22001960			Transformer
"	22002925	3370225		Screw
011	33001204			Stand-Off, Ccontrol Board
"	33002358	W10130081		Control Board
012	22001962	W10131114		Cover, Display

013

[211252](#)

Screw, Ground Wire

014

[215526](#)

Screw, Circuit Board

015

[22003818](#)

Wire Harness

016

[33002671](#)

Use And Care Manual

